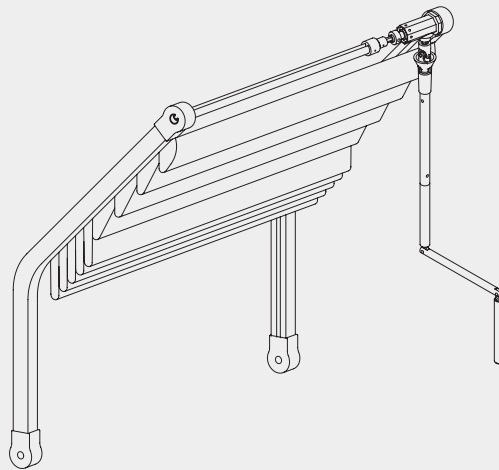


Skylight Shading Systems



Crank Operated Wintergarden System

Silent Gliss® 2190



Product Information

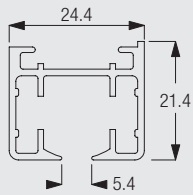
- Crank operated system for domestic or contract use
- Pleasing Roman blind effect with Silent Gliss technical or decorative fabrics or customers' own material
- Side guide profile standard colours: silver, white, bronze, gold and black
- Crank may be detached for security
- Left or right hand operation
- Horizontal, sloping, bent and arched applications



2190

Profile, Bending and Specification Information

Side guide profile



2191



Min. radius 200mm

Specification Information - download from www.silentgliss.co.uk (password required).

2190 crank operated Wintergarden system ready assembled complete with drive shaft, crank handle, 2191 side guide channels and side fixed with 3825 clamps at 30cm centres.off.....wide xdrop (girth) guide channels, side channels each benttimes with cross rods atcm intervals.

System Dimensions



2.5m (single)
3m (double)



6m (single and double)



10kg



15sqm (single)
18sqm (double)

Max. size and weight chart

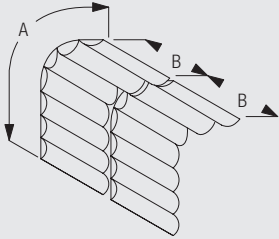
2190		kg max.	A	B	2190		kg max.	A	B
		10	1.8 m	6 m			10	2 m	5 m
		10	1.8 m	6 m			10	2 m	5 m
		10	2 m	5 m			10	2 m	5 m
		10	2 m	5 m			10	2 m	4 m
		10	2.5 m	6 m			10	2 m	4 m
		10	3 m	6 m			10	2 m	4 m

The system dimensions depend on the application, number of connected systems and the total fabric weight (including cross rods, 2579 - 0.146kg per m, 2248 - 0.32kg per m).

When a full arch the system must be centre opening.

System Options

Connected systems

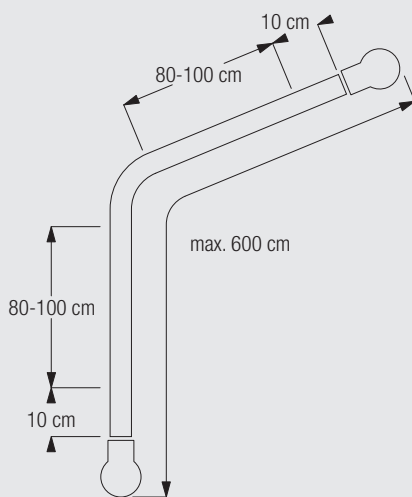


Maximum of two bays can be connected with one crank operation. The maximum system sizes are indicated in the chart under system dimensions.

Please note that the two sections can be asymmetrical but one section can never exceed a total width of 2.5 m.

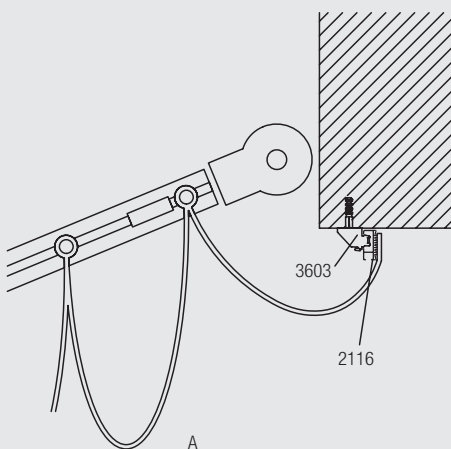
Fitting Information

Bracket positioning



Please fix the last bracket as close as possible (max. 10cm) to the guide returns.

Fixing the end of the fabric



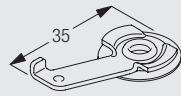
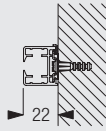
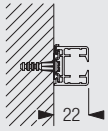
Fixing of fabric to Velcro profile 2116



2190

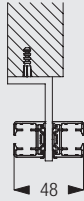
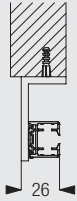
Fitting Options

Inside reveal fix with clamp 3825



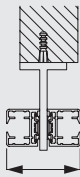
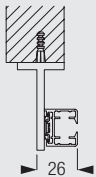
3825
Clamp (35mm)

Outside reveal fix with clamp 3065a

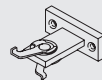


3065A
Bracket - single
clamp

Outside reveal fix with clamp 3066a and 3066b (double system)



3066A
T-bracket - single
clamp



3066B
T-bracket - double
clamp

Accessories



2190

2111 Hexagonal bar



2116 Velcro profile



2145 Glider



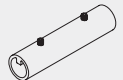
2156 Drive shaft



2191 Profile



2242 Connector



2248 Heavy duty cross rod



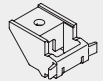
2746 Detachable crank handle



2759 Crossrod



3603 Top fix bracket



3825 Clamp (35mm)



6086 Spring stop



3065A Bracket - single clamp



3065B Bracket - double clamp

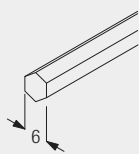


3066A T-bracket - single clamp

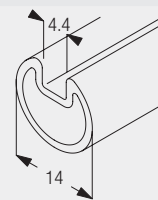


Useful Measurements

2111 Hexagonal bar



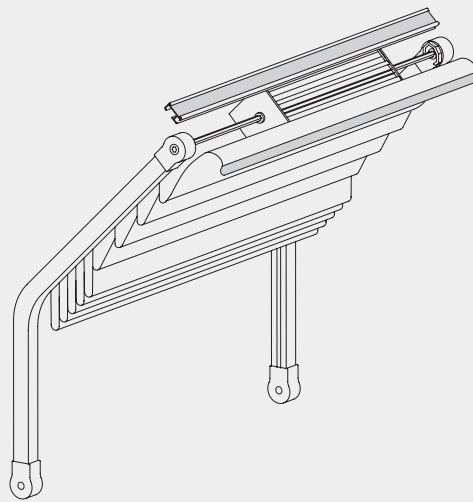
2156 Drive shaft



2190

Motorised Wintergarden System

Silent Gliss® 2195



Product Information

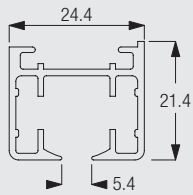
- Electrically operated system for domestic or contract use
- Pleasing Roman blind effect with Silent Gliss technical or decorative fabrics or customers' own material
- Blinds can be single, double or triple operation from one motor to correspond to window bays
- Horizontal, sloping, bent and arched applications
- Can be operated via fixed switch or radio remote control
- Side guide profile standard colours: silver, white, bronze, gold and black
- Can be operated by fixed switch or combined with Radio Remote Control System Silent Gliss 9940/0450



2195

Profile, Bending and Specification Information

Side Guide Profile

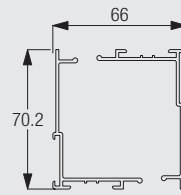


2191



Min. radius 200 mm

Profile 2151 for motor cover



2151



Cannot be bent

Specification Information - download from www.silentgliss.co.uk (password required).

2195 electrically operated Wintergarden system ready assembled with motor enclosed headbox 2151 complete with drive shafts, side guide channels and cross rods for blinds. Side guide channels to be fixed at 80-100cm centres and headbox to be fixed with 3004 clamps. off.....wide x drop (girth) guide channels, side channels each benttimes with cross rods atcm intervals.

System Dimensions



3m (single)
6m (double)
6m (triple)



6m (all systems)



25kg (all systems)



18sqm (single)
30sqm (double)
36sqm (triple)

Maximum size and weight chart

2195		kg max.	A	B	2195		kg max.	A	B
		18	3 m	6 m			18	3 m	6 m
		18	6 m	6 m			18	6 m	6 m
		18	6 m	5 m			18	6 m	6 m
		25	3 m	6 m			18	3 m	6 m
		25	6 m	6 m			18	6 m	5 m
		25	6 m	6 m			18	6 m	5 m
		25	3 m	6 m			10	3 m	4 m
		25	6 m	6 m			10	6 m	4 m
		25	6 m	6 m			10	6 m	3 m

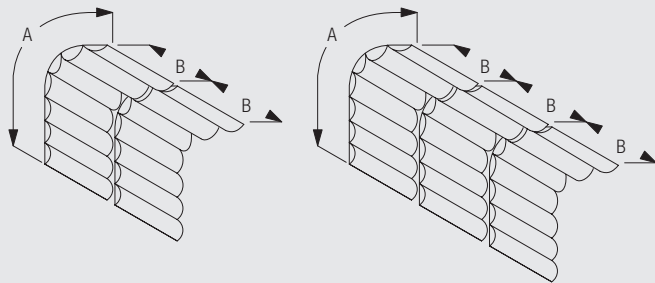
Sloped versions: max. inclination 45°

The system dimensions depend on the number of connected systems, the application and the total fabric weight (including cross bars: 2579 - 0.146kg per m, 2248 - 0.32kg per m). Systems over 2.5m must use 2248 heavy duty cross rod. In double or treble systems where one of the systems is over 2.5m, then all covers must use 2248 cross rod.

When a full arch the system must be centre opening.

System Options

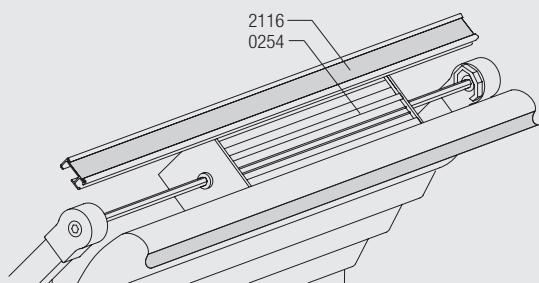
Connected systems



Maximum of three bays can be connected to one system. The maximum system sizes are indicated in the chart under system dimensions.

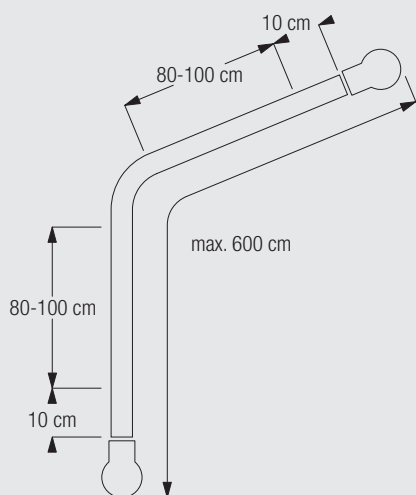
Please note that the sections can be asymmetrical but a bay can never exceed a total width of 3m.

Motor cassette 2151 and Velcro profile 2116



Fitting Information

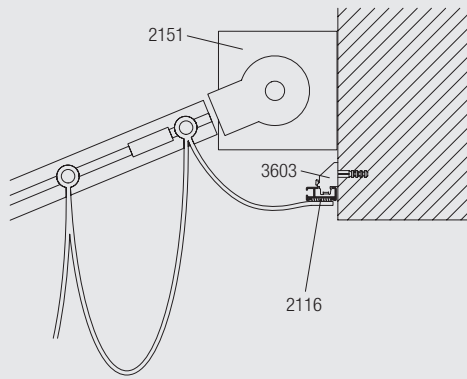
Bracket positioning



2195

Please fix the last bracket as close as possible (max. 10cm) to the guide return.

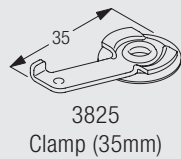
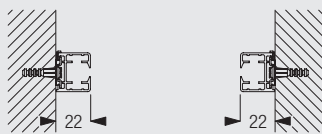
Fixing the end of the fabric



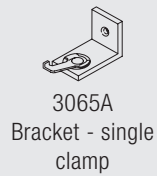
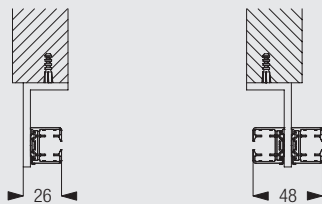
Fixing of fabric to Velcro profile 2116

Fitting Options

Inside reveal fix with clamp 3825

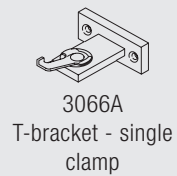
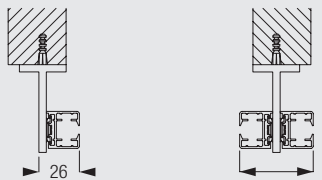


Outside reveal fix with clamp 3065a



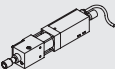
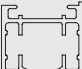









2195

Outside reveal fix with clamp 3066a








Standard Accessories

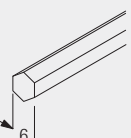
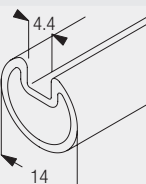
0766	In-line connector (complete/no lead)		2111	Hexagonal bar	
2116	Velcro profile		2145	Glider	
2151	Profile		2156	Drive shaft	

2160	Motor		2191	Profile	
2242	Connector		2248	Heavy duty cross rod	
2759	Crossrod		3004	Clamp	
3603	Top fix bracket		3825	Clamp (35mm)	
3065A	Bracket - single clamp		3066A	T-bracket - single clamp	
3066B	T-bracket - double clamp				

Optional Accessories

0578	Pattress box		0615	Latching switch inc. pattress box	
5736	Relay socket		5741	Klik plug	
5742	Klik socket				

Useful Measurements

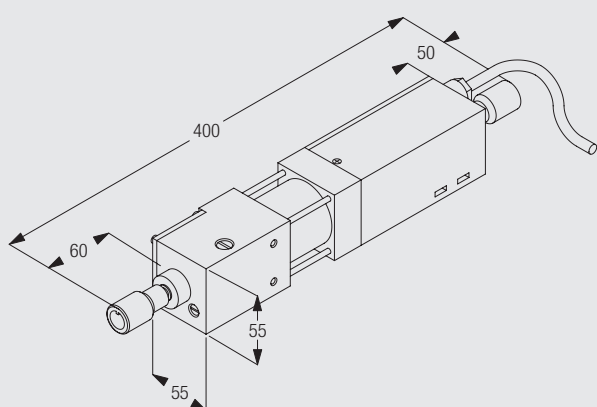
2111	Hexagonal bar		2156	Drive shaft	
------	---------------	---	------	-------------	---



2195

Motors and Controls

Motor Silent Gliss 2160 - Single Bay



- Torque: 6Nm
- Voltage: 230V/115V
- Frequency: 50Hz/60Hz
- Power: 150W/145W
- Current: 0.7A/1.4A
- Speed: 23rpm/26rpm
- Thermal overload protection
- CEE Standard
- Mechanical end stop
- Weight: 2kg

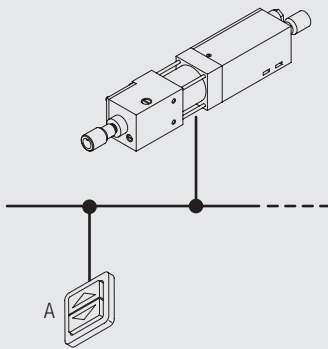
Motor Silent Gliss 2160 - Multiple Bays

- Note: Drawing as per 2160 above except that overall length is 375mm (instead of 400mm)
- Torque: 10Nm
- Voltage: 230V
- Frequency: 50Hz
- Power: 120W
- Current: 0.53A
- Speed: 26rpm
- Thermal overload protection
- CEE Standard
- Mechanical end stop
- Weight: 1.8kg

The Silent Gliss 2160 motor is an interference-free motor, designed to offer top performance in regard to strength and reliability. The entire motor is integrated into the profile cover.

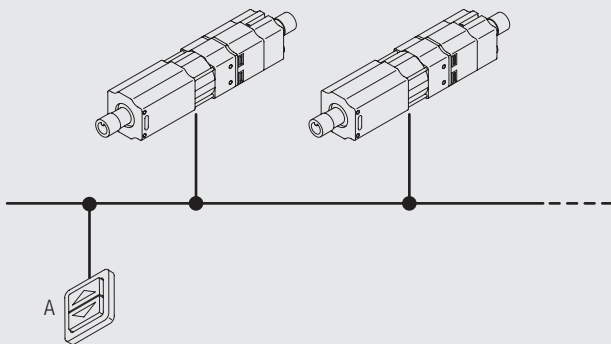
Operating Methods - Single and Multiple Bays

Operation via fixed switch (single system)



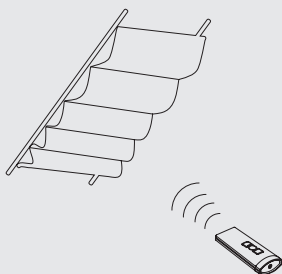
A: 230V/115V
All cabling between switch and motor is to be 3 core + earth

Operation via fixed switch (multiple systems)



A: 230V/115V
R: Relay
All cabling between switch and motor is to be 3 core + earth

Operation with radio controls systems 9940/0450



System can be combined with Radio Remote Control Systems Silent Gliss 9940/0450. For further details, please refer to catalogue section "Motors & Controls".

Wiring and Connections

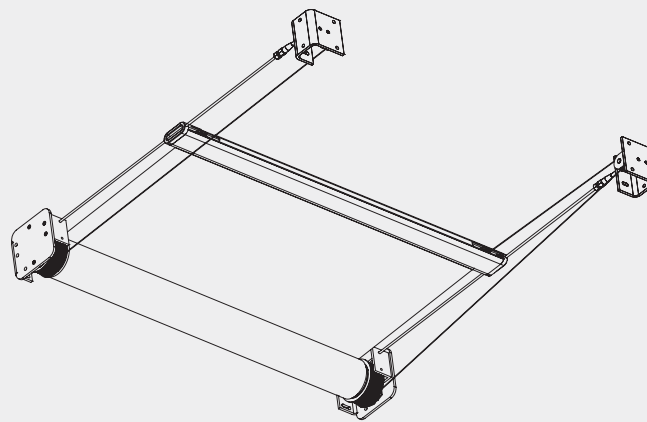
Important: Wiring diagrams are available on the Silent Gliss website www.silentgliss.co.uk (password required). Please contact Silent Gliss for information on access.



2195

Motorised Skylight Shading System

Silent Gliss® 8600



Product Information

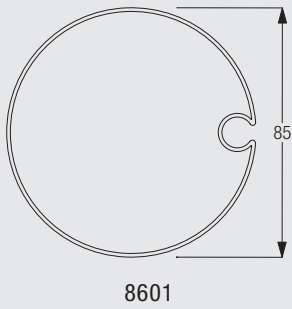
- Wire guided tension roller blind
- Electrically operated and fully retractable
- For sloping and horizontal glazing applications
- Suitable for applications between 0° and 360°
- Specially selected fabrics available
- Aluminium parts powder coated white as standard
- Fasteners and cables in corrosion resistant stainless steel
- Can be combined with Radio Remote Control System Silent Gliss 9940/0450



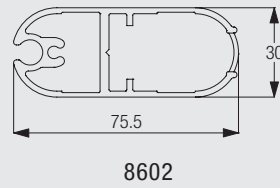
8600

Profile and Specification Information

Headrail



Bottom bar

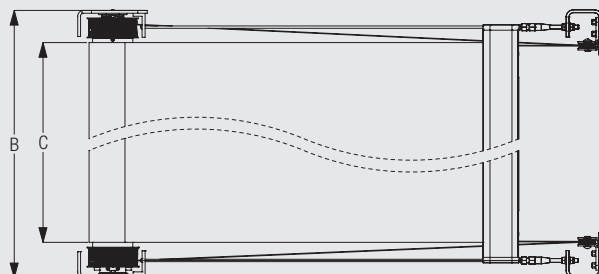
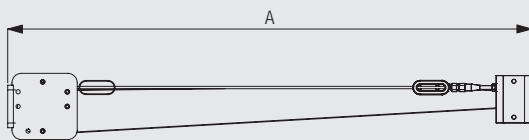


Specification Information - download from Silent Gliss Extranet

8600 electrically operated tension roller blind skylight system ready assembled with motor. Complete with tension cables, return brackets, with fabric Quantity....., width.....mm x drop.....mm. Wall/ceiling fixing brackets.

Measuring and Planning

How to measure

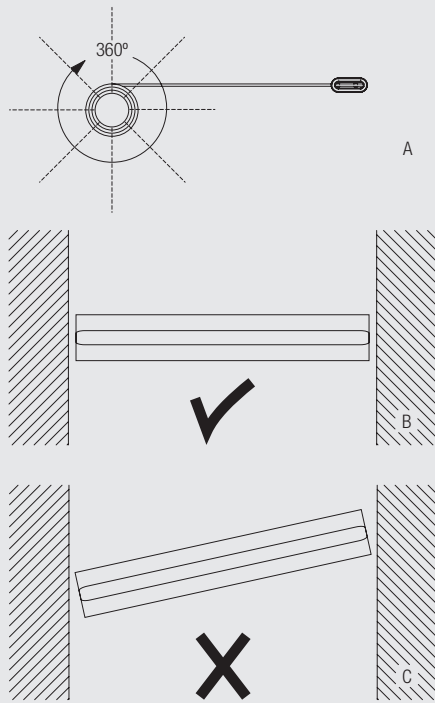


- A: System length
- B: System width
- C: Fabric width (B - 145mm)

Pulling force per bracket: typical 100kg tensile load

8600

System orientation



Side elevation of headrail showing fabric.

A: Fabric pull possible at any angle (0 - 360°) from the centre line of the roller tube.

Vertical section of diagonal axis (B + C)

B: System headrail can only be installed horizontally.

C: System headrail cannot be installed inclined.

System Dimensions



4m



Up to length of 3m =
87cm
Over length of 3m =
108cm



6.5m

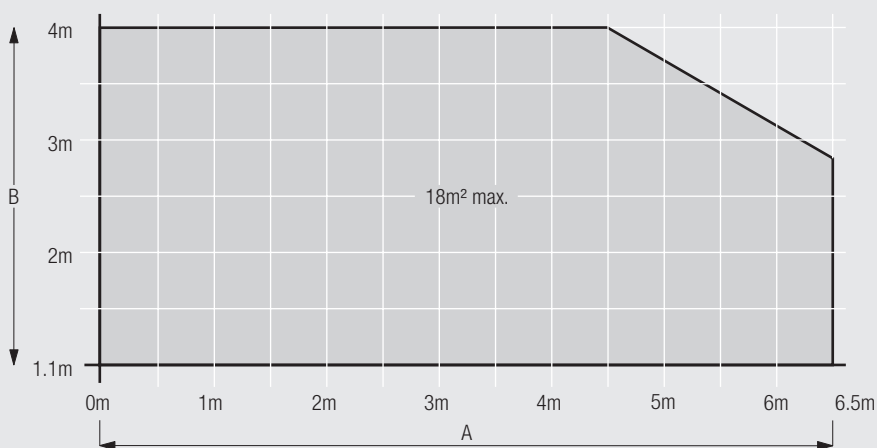


18sqm



40kg

Loading chart



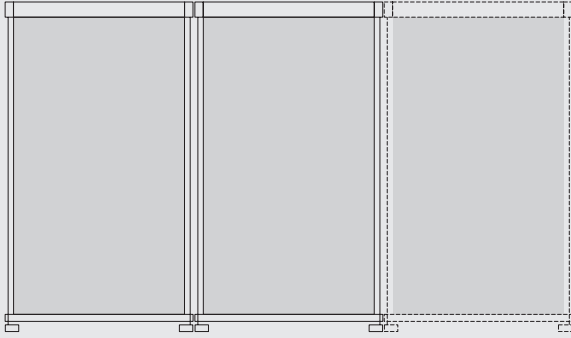
A: System length
B: System width



8600

System Options

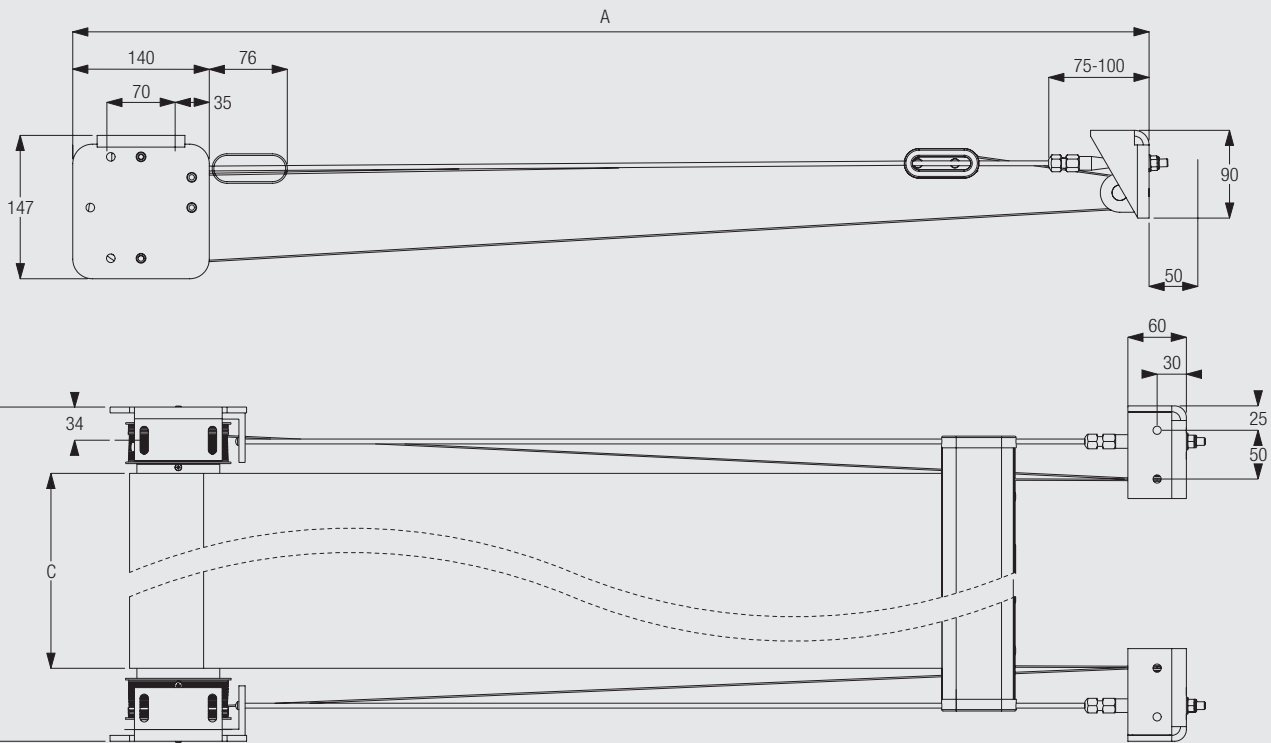
Multiple systems



Each system requires its own motor.

Fitting Information

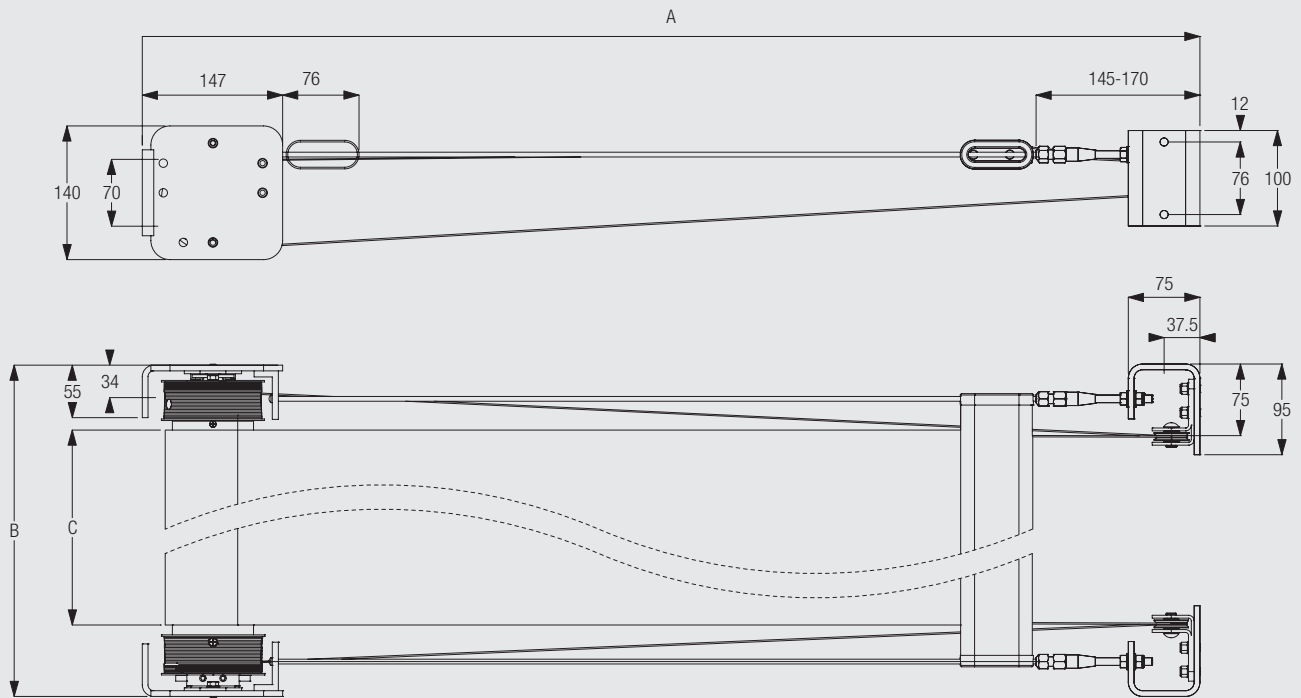
Ceiling fix



- A: System length
- B: System width
- C: Fabric width (B - 145mm)

Note: ceiling fix return pulley requires 50mm back clearance.

Wall fix

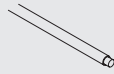


- A: System length
- B: System width
- C: Fabric width (B - 145mm)

Standard Accessories

0766	In-line connector (complete/no lead)		8601	Profile	
8602	Profile		8603	Spring set short	
8604	Spring set long		8605	Motor set	
8606	Roller bracket ceiling left		8607	Roller bracket ceiling right	
8608	Pulley bracket ceiling left		8609	Pulley bracket ceiling right	
8611	Roller bracket wall left		8612	Roller bracket wall right	
8613	Pulley bracket wall left or right (reversible)		8614	Bottom bar pulley set	
8615	Bottom bar end cap set		8616	Wire guide set	
8617	Fabric insert (5mm)		8618	Fabric insert (6mm)	

8619 Tension wire (1.5mm)



Optional Accessories

0578 Pattress box



0615 Latching switch inc. pattress box



5741 Klik plug

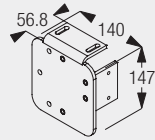


5742 Klik socket

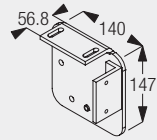


Useful Measurements

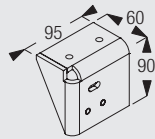
8606 Roller bracket ceiling left



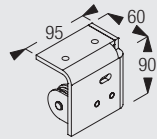
8607 Roller bracket ceiling right



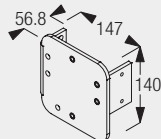
8608 Pulley bracket ceiling left



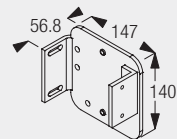
8609 Pulley bracket ceiling right



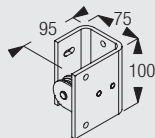
8611 Roller bracket wall left



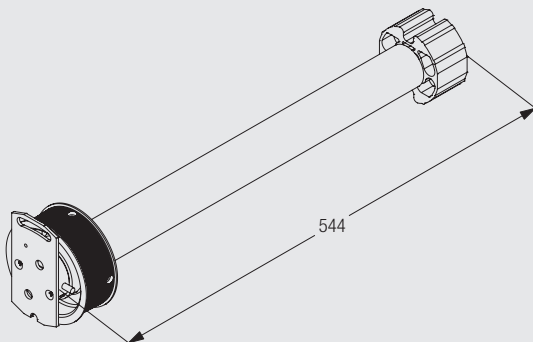
8612 Roller bracket wall right



8613 Pulley bracket wall left or right (reversible)



Motorisation

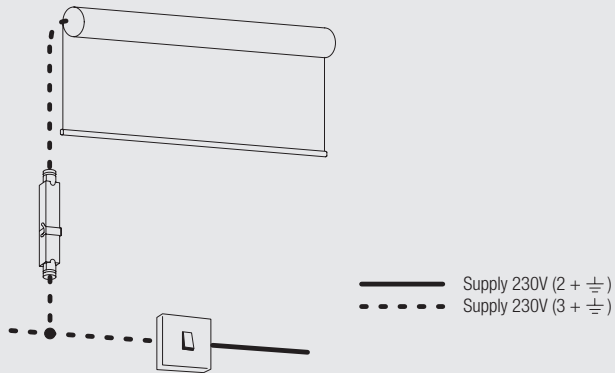


- Torque: 15Nm / 15Nm
- Voltage: 120V / 230V
- Frequency: 60Hz / 50Hz
- Power: 130W / 140W
- Current: 1.1A / 0.65A
- Speed: 18rpm / 17rpm
- Speed of travel: 7.5 cm per second
- Thermal overload protection
- Mechanical end stop

The Silent Gliss 8605 motor is an interference-free motor, designed to offer top performance in regard to strength and reliability. The entire motor is integrated in the tube. The motor will be supplied with 2.5m cable (white) with plug.

Operating Methods

Fixed Wall Switch

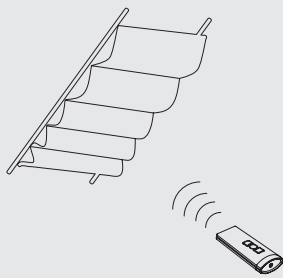


Relays (5736) must be used if **multiple systems** are connected in parallel.

When using the Fixed Switch control for multiple blinds, when operating simultaneously the blinds may not necessarily stop at precisely the same intermediate point. Top and bottom levels can be preset in alignment.

If this is a requirement then we recommend using Radio Control Systems 9940/0450 with individual and simultaneous switching.

Radio Remote Control Systems Silent Gliss 9940/0450



System can be combined with Radio Remote Control Systems Silent Gliss 9940/0450 with minimum wiring. For further details, please refer to catalogue section "Motors & Controls".

Wiring and Connections

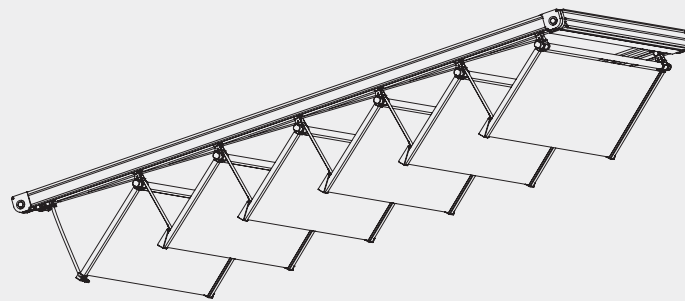
Important: Wiring diagrams are available on the Silent Gliss website www.silentgliss.co.uk (password required). Please contact Silent Gliss for information on access.



8600

Motorised Skylight Shading System

Silent Gliss® 8800



Product Information

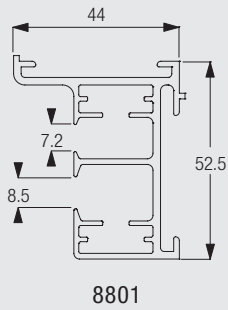
- A unique and technically advanced heavy duty glass roof shading system
- Panel tilting and retracting technique
- Suitable for applications up to 30° from horizontal
- Vertical positions of panels limits soiling and heat build up
- Specially defined fabrics available
- The system components are made from flame retardant and UV-resistant material
- Can be combined with Radio Remote Control System Silent Gliss 9940/0450



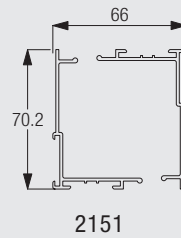
8800

Profile, Bending and Specification Information

Main Carrier Profile



Profile 2151 for motor cover

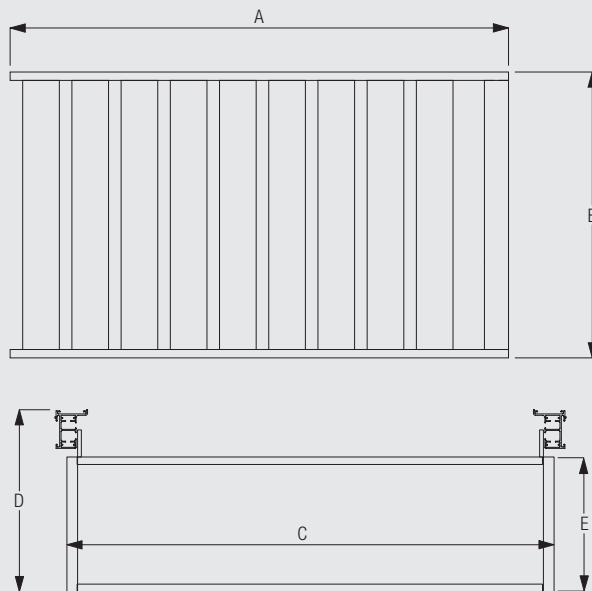


Specification Information - download from Silent Gliss website www.silentgliss.co.uk

8800 electrically operated tilting panel skylight system ready assembled with motor enclosed headbox 2151 complete with drive shafts, side guide channels and panels for blinds. Side guide channels to be fixed at 60-80cm centres and headbox to be fixed with 3004 clamps and screw fix through headbox 2151. off.....wide xdrop (girth) guide channels, side channels with fabric panels wide x 36cm drop suspended from system at 32cm intervals.

Measuring and Planning

How to measure



Sides must always be parallel

A: System length

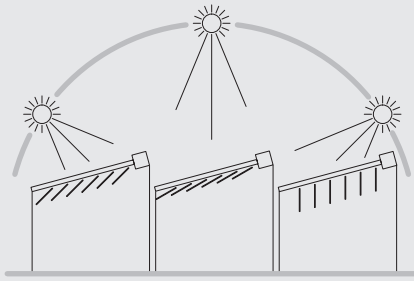
B: System width

C: Panel width

D: Total system height is always 52cm

E: Fabric panel drop - 36cm

Planning guidelines

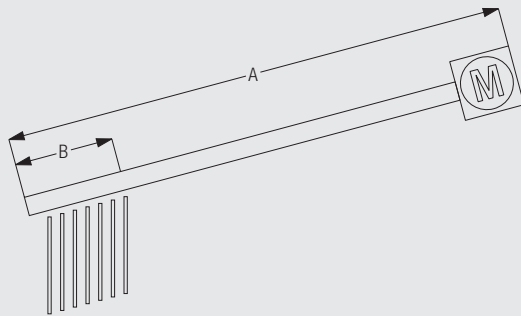


Orientation of the System

In order to optimize glare and light control, special attention has to be given to the position of the system to the sun throughout the day.

It is important to consider that the panels always tilt towards the stack.

Due to the number of possible variables when planning this system it is important that advice is sought from a Silent Gliss trained technician.



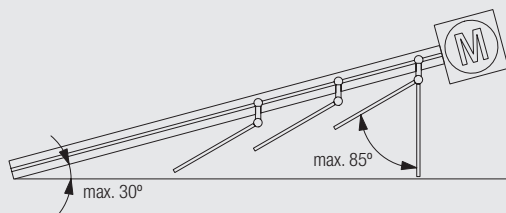
Motor Positioning

With sloping systems, the motor is always positioned at the highest point of the system.

Stack Sizes

Stack sizes are variable: As the length (A) increases, so does the stack (B).

A	4m	6m	8m	10m	12m
B	43cm	65cm	88cm	114cm	136cm



Tilting on a sloping system

Suitable for applications up to 30° from horizontal. The maximum tilting of the panel from its vertical position is 85°.



8800

System and Panel Dimensions



3m



max. 36sqm



12m (0° inclination)
7m (30° inclination)



Max panels: 36



67kg

Maximum system measures

Inclination	0°	15°	30°
Width	3m	3m	3m
Length	12m	10m	7m
height	0.52m	0.52m	0.52m

The maximum dimensions of the system and panels depend from the degree of inclination. The angle of the system will affect the maximum dimension.

Panel measurements (fabric)

The height of the fabric panels is always 36cm.

System Options

Multiple systems

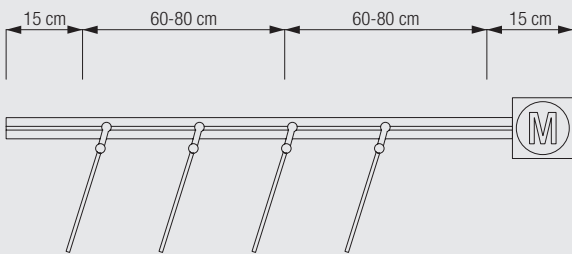


With intermediate bracket 8855 parallel fixing of multiple systems is possible. This allows shading of unlimited glazed areas.

However each system requires its own motor.

Fitting Information

Bracket positioning



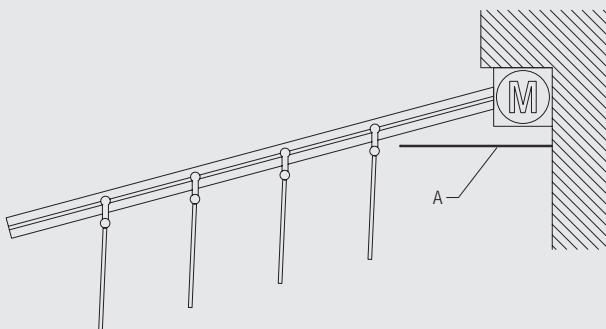
This diagram illustrates the likely positioning of brackets.

It is likely that customised brackets will be required with this system.

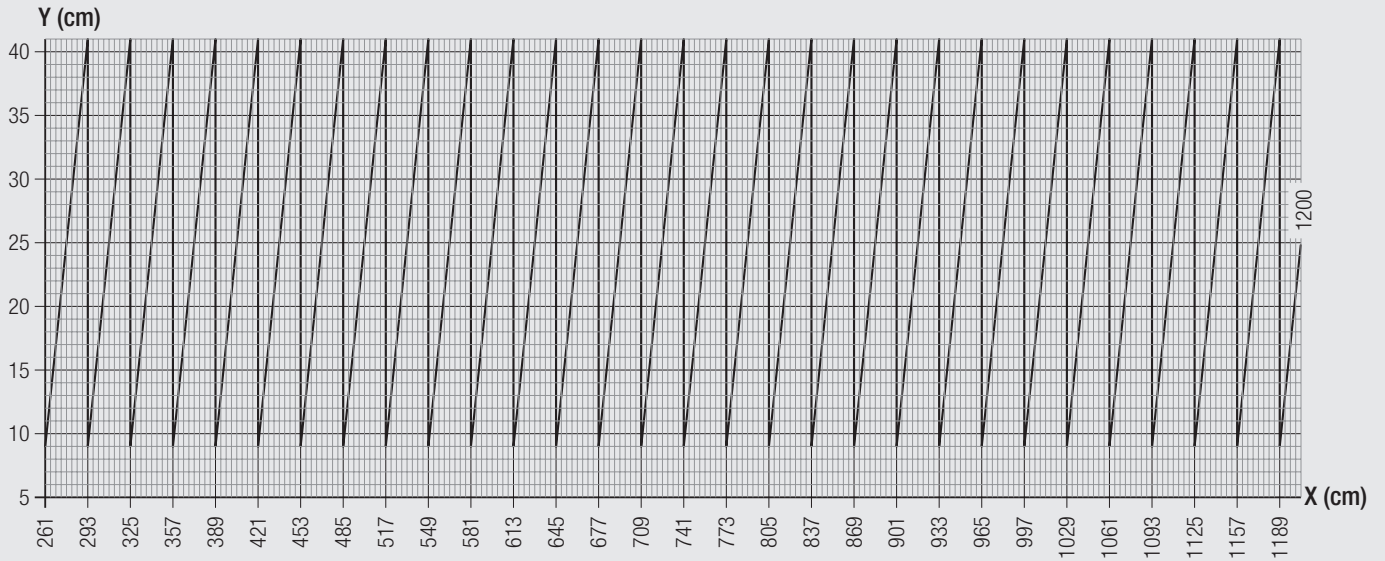
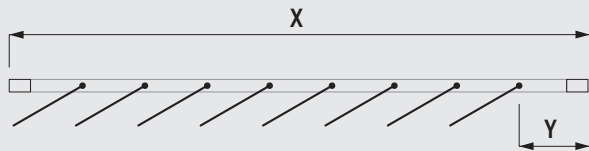


8800

Fitting of motor and covering of motor gap

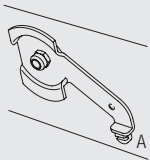


Customised cover panels may be required at either end of the system.



Due to technical reasons there will be a light gap (y) on the front side of the system. The size of the gap depends on the length of the system (x). If required, this gap can be hidden with a special faceplate (fitting on site).

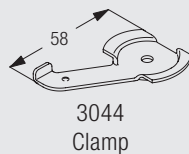
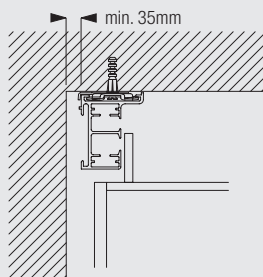
Securing the clamp



A: Clamps 3044 require fixing with a small screw for maximum security.

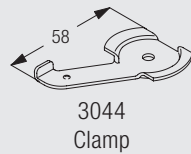
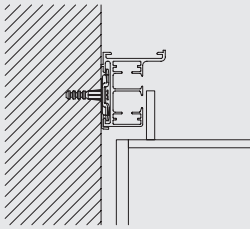
Fitting Options

Ceiling fix with clamp 3044 (single system)



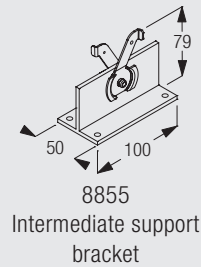
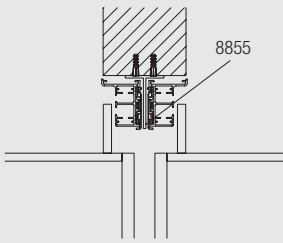
8800

Wall fix with clamp 3044



Clamp 3044 requires additional fixing with a small screw for maximum security.

Parallel ceiling fix with Intermediate support combination 8855 and clamp 3044 (multiple systems)



Standard Accessories

0766 In-line connector (complete/no lead)



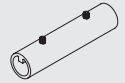
1003 Profile



2151 Profile



2242 Connector



3014 Endcover (22.4mm)



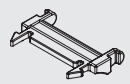
3044 Clamp



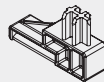
8801 Profile



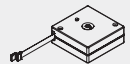
8834 Wedge



8837 Panel guide



8840 Tensioner comb.



Optional Accessories

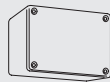
0578 Pattress box



0615 Latching switch inc. pattress box



5736 Relay socket



5741 Klik plug



5742 Klik socket



8855 Intermediate support bracket

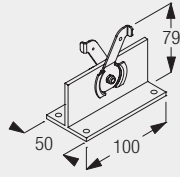


8861 Distance plate



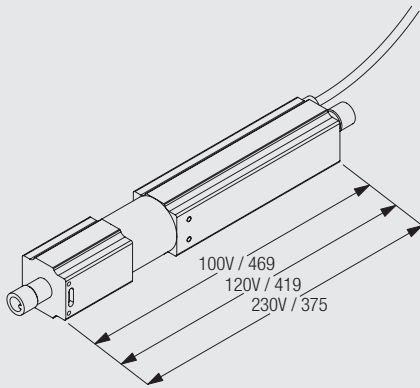
Useful Measurements

8855 Intermediate support bracket



Motorisation

Motor Silent Gliss 9009

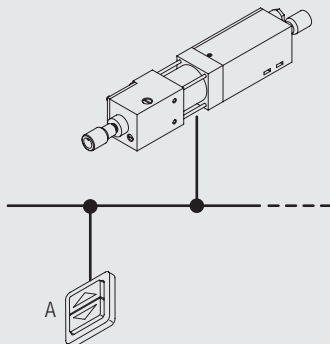


- Torque: 12Nm / 10Nm
- Voltage: 120V / 230V
- Frequency: 60Hz / 50Hz
- Power: 150W / 150W
- Current: 1.35A / 0.66A
- Speed: 30rpm / 35rpm
- Thermal overload protection
- Mechanical end stop

The Silent Gliss 9009 motor is an interference-free motor, designed to offer top performance in regard to strength and reliability. The entire motor is integrated in the profile.

Operating Methods

Operation via fixed switch (single system)

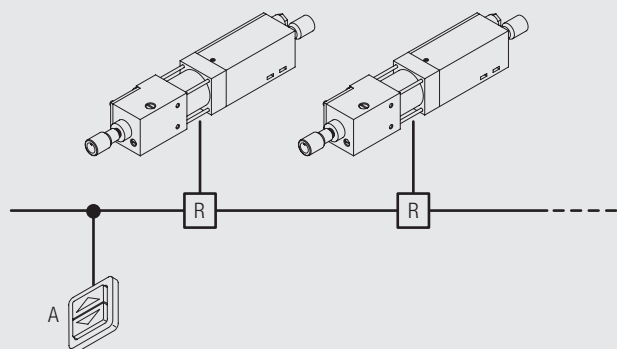


A: Switch and 120/230V supply
All cabling between switch and motor is to be 3 core + earth



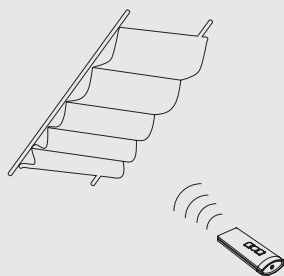
8800

Operation via fixed switch (multiple systems)



A: Switch and 120/230V supply
R: Relay
All cabling between switch - relay - motor is to be 3 core + earth

Operation with radio control systems 9940/0450



System can be combined with Radio Remote Control Systems Silent Gliss 9940/0450, with minimum wiring. For further details, please refer to catalogue section "Motors & Controls".

Wiring and Connections

Important: Wiring diagrams are available at www.silentgliss.co.uk (password required).



8800