



A comprehensive range
of window blind systems
designed with unique
technical features and to
the exacting specifications
that active commercial
environments demand.



YewdaleDefiant® the blind systems range

A comprehensive range of window blind systems designed with unique technical features and to the exacting specifications that active commercial environments demand.



All YewdaleDefiant® blinds are carefully built to exacting standards, giving years of trouble free service. The superior design features and quality components enable them to be confidently specified for the most demanding environments.





YewdaleDefiant® Cassetted Blinds

The full range is distributed globally through a network of partners providing an unrivalled level of support, and with experienced installation and service teams to exceed your expectations.

All YewdaleDefiant® blinds are carefully built to exacting standards, giving years of trouble-free service. The superior design features and quality components enable them to be confidently specified for the most demanding environments.

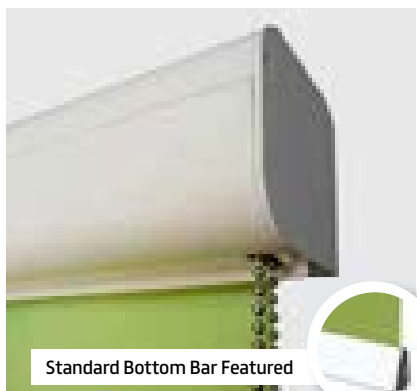
Many YewdaleDefiant® blinds feature vandal-resistant controls and mechanisms, and are frequently to be seen in hospitals, schools, colleges and other public buildings, as well as the regular commercial and residential applications.

YewdaleDefiant® cassetted blinds give a smooth contemporary style to any window, and help to protect the blind fabric from dust or damage. The C2 range of cassettes offer a pleasing and modern alternative to standard roller blinds incorporating an attractive aluminium head-box to protect and enclose the fabric when it's not in use for its shading purposes. The C4 cassette range includes side channels as standard. These help to retain the fabric in position, and will also give a degree of light exclusion when used in conjunction with blackout fabric.

C20 Sidewinder	21
C22 Braked Spring	22
C24 Crank	23
C25 Electric 24v	24
C27 Electric 230v	25
C40 Sidewinder	26
C42 Braked Spring	27
C44 Crank	28
C45 Electric 24v	29
C47 Electric 230v	30
Laser Blinds	31
Tracker Fabric Retaining System	31
Specification Guide	32



this cassetted blind range comes with a Full Lifetime Warranty as standard.



C20 Sidewinder

Features:

All of the YewdaleDefiant® C20 sidewinder cassetted blinds come with an enclosed aluminium head-box as standard. Cassette is designed for top or face fixing and accommodates 32, 45, 53 or 70mm grooved aluminium barrels, depending on blind size and fabric weight. Fabric is locked into groove in barrel, and features aluminium bottom bar with pile seal. A robust Slipstream® sidewinder mechanism provides the effective means of operation with the use of metal control chain, held in place by a chain tidy. Black or white hardware as standard.

Benefits:

The excellent performance of a YewdaleDefiant® cassetted blind is further enhanced as an aesthetically pleasing solution. The quality sidewinder mechanisms are simple to operate and allow accurate control of blind position.

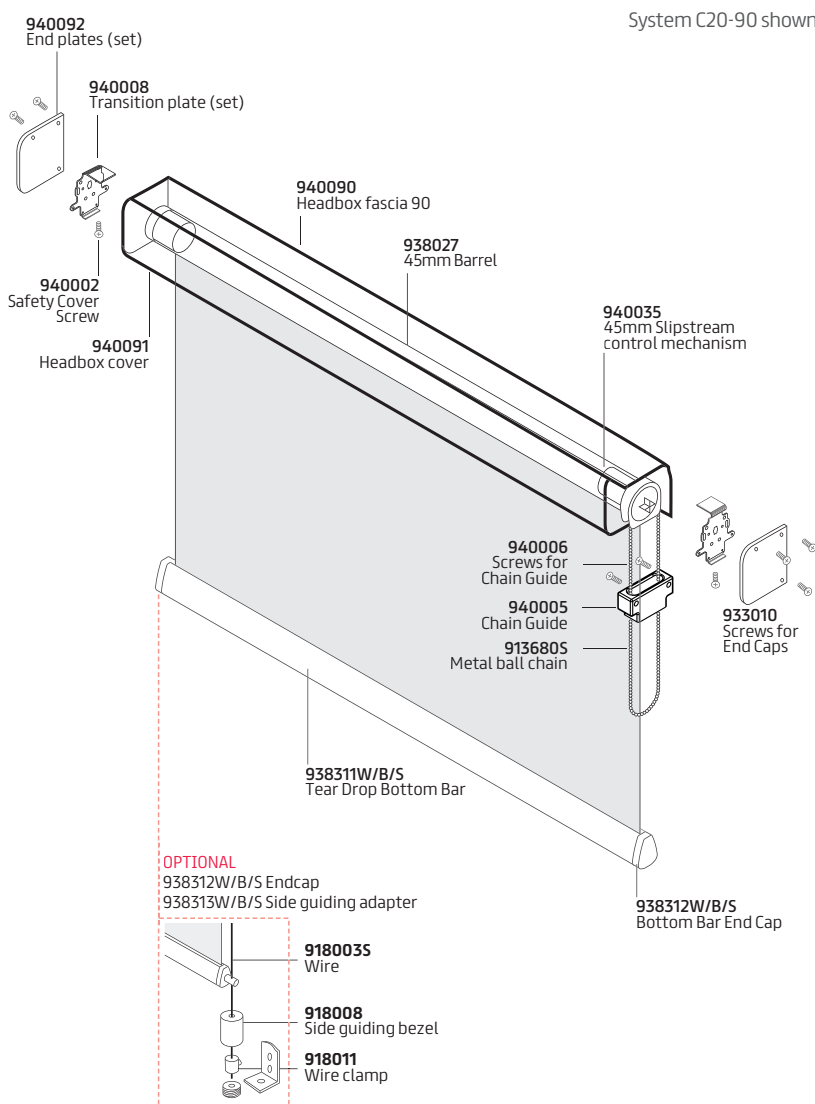
Options:

Black or white hardware; With side channels, C40-60/90/120. Wire side-guiding system; Available in any RAL colour.

Specification:

YewdaleDefiant® C20-60/90/120 cassetted blind as manufactured by Yewdale, +44 (0)1268 570900. Flame retardant fabric from the YewdaleDefiant® range, locked into grooved 32/45/53/70mm aluminium barrel along with aluminium bottom bar as standard. Black/white aluminium cassette and bottom bar and incorporating metal control chain.

Please refer to NBS Plus N10 240.



System C20-90 shown.

Cassetted Blind Profile Dimension Guide

Model	Cassette Size (HxD)	Barrel Size Ø	Side Channel Size (WxD)
C20-60	77 x 73mm	32mm	n/a
C20-90	105 x 95mm	45mm	n/a
C20-120	140 x 120mm	53 / 70mm	n/a

YewdaleDefiant® Cassetted Blinds

YewdaleDefiant® Cassetted Blinds



Standard Bottom Bar Featured

C22 Braked Spring

Features:

The YewdaleDefiant® C22 cassetted braked spring roller blind with premium quality spring and decelerator ensures smooth and quiet operation. Direct fix for top and face applications. Fabric is locked into groove in 32mm aluminium barrel, and features aluminium bottom bar. Black or white hardware as standard.

Benefits:

An attractive metal-framed blind with the added appeal of slow-rise, or braked, technology. Generally used in dim-out applications with blackout fabric, or as an insect screen with mesh fabric, as it has no mid-point stopping positions. The braked spring and decelerator mechanism is enclosed within the barrel.

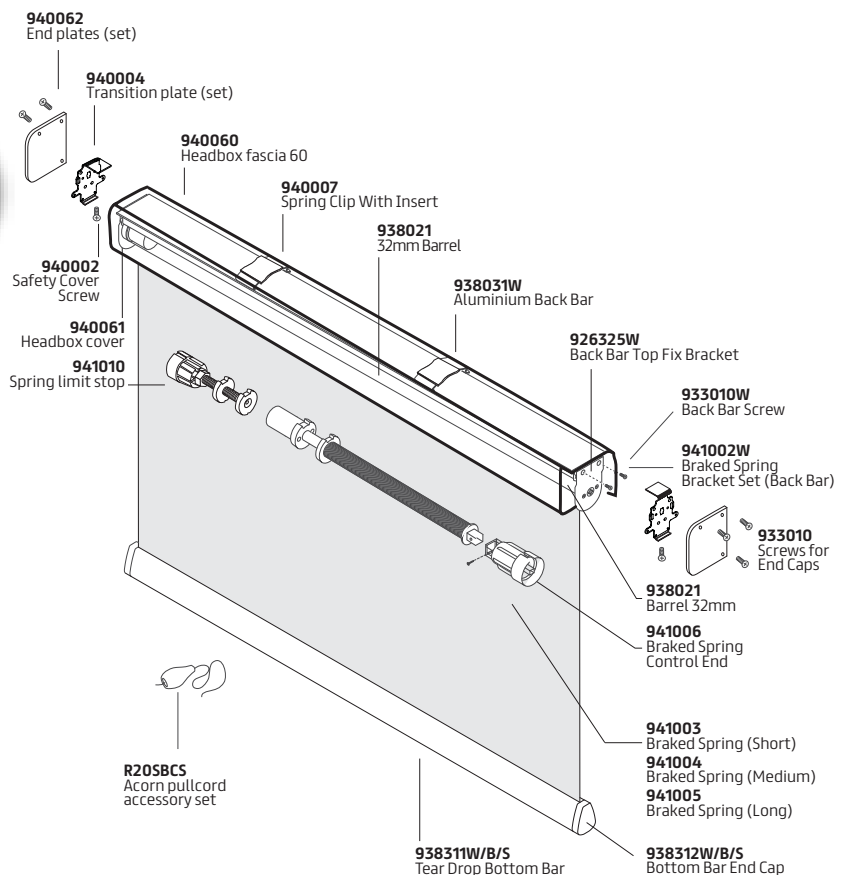
Options:

Black or white hardware available in any RAL colour; With side channels C42-60.

Specification:

YewdaleDefiant® C22-60 braked spring control cassetted blind as manufactured by Yewdale, +44 (0)1268 570900. Flame retardant fabric from the YewdaleDefiant® range, locked into grooved 32mm aluminium barrel along with aluminium bottom bar as standard. Vandal resistant braked spring and spring end housed within black/white aluminium cassette.

Please refer to NBS Plus N10 240.



Cassetted Blind Profile Dimension Guide

Model	Cassette Size (HxD)	Barrel Size Ø	Side Channel Size (WxD)
C22-60	77x73mm	32mm	n/a



C24 Crank

Features:

The YewdaleDefiant® C24 crank control cassetted blind features a compact, robust 1:3½ gear mechanism operated by a detachable crank handle. Cassette is designed for top or face fixing and accommodates 45, 53 or 70mm grooved aluminium barrels, depending on blind size and fabric weight. Fabric is locked into groove in barrel and an aluminium bottom bar. Black or white hardware as standard.

Benefits:

Durability and simplicity make the C24 a good choice for a vast range of applications. With its powerful gear controls it will perform dependably in all kinds of contract applications. The geared crank handle and mechanism ensures smooth blind control and is safer for areas where cords are a threat. Fabric locked into the barrel and bottom bar and supported by sturdy supports.

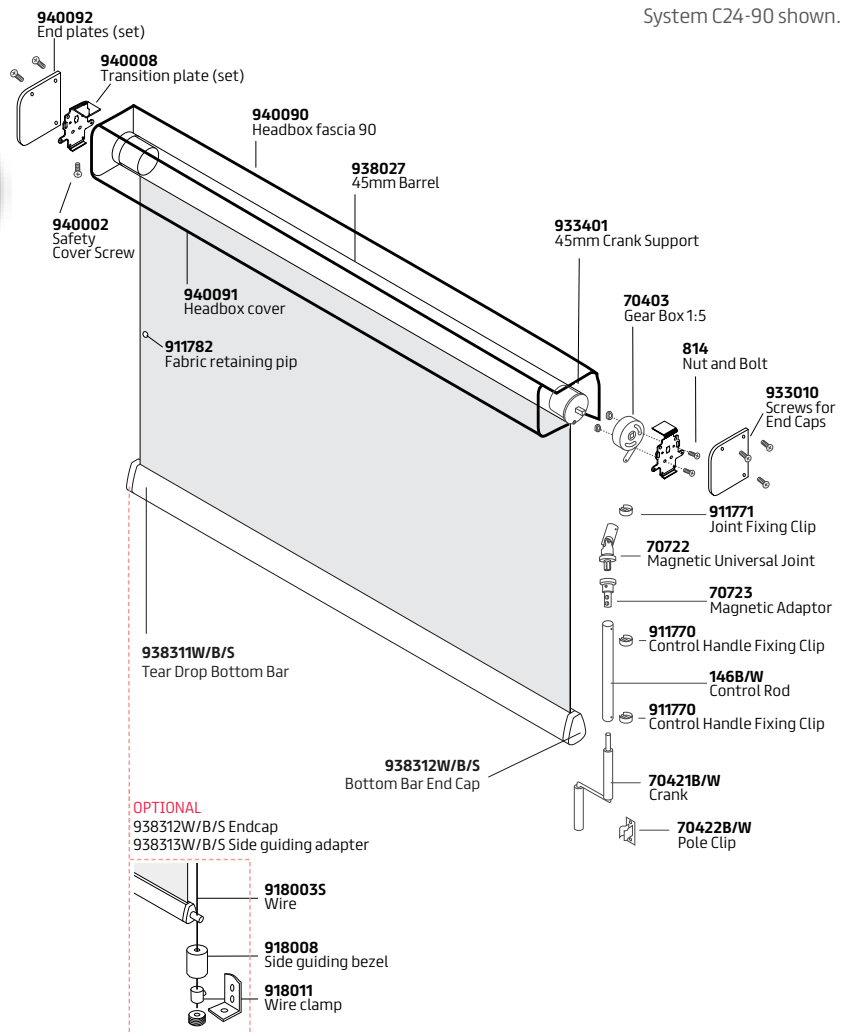
Options:

Black or white hardware; Fixed crank handle; With side channels C44-90/120. Wire side-guiding system; Available in any RAL colour.

Specification:

YewdaleDefiant® C24-90/120 crank control cassetted blind as manufactured by Yewdale, +44 (0)1268 570900. Flame retardant fabric from the YewdaleDefiant® range, locked into grooved 45/53/70mm aluminium barrel along with aluminium bottom bar as standard. Robust vandal resistant 1:3½ crank mechanism and pin end housed within black/white aluminium cassette, supported by sturdy brackets.

Please refer to NBS Plus N10 240.



System C24-90 shown.

Cassetted Blind Profile Dimension Guide

Model	Cassette Size (HxD)	Barrel Size Ø	Side Channel Size (WxD)
C24-90	105 x 95mm	45mm	n/a
C24-120	140 x 120mm	53 / 70mm	n/a

YewdaleDefiant® Cassetted Blinds

YewdaleDefiant® Cassetted Blinds



Standard Bottom Bar Featured

C25 Electric 24v

Features:

The YewdaleDefiant® C25 electric cassetted blind features a low voltage 24v DC motor as standard. Cassette is designed for top or face fixing and accommodates 40mm grooved aluminium barrel, housing the 24v DC motor. The motor is controlled by a switch which may be surface or flush mounted (not supplied as standard). Fabric is locked into groove in barrel and an aluminium bottom bar. Black or white hardware as standard.

Benefits:

Fingertip control and a slim yet sturdy aluminium frame help this blind to lend an air of luxury to any environment and makes the C25 a perfect choice for motorised requirements. It's quiet and reliable motor is housed within the barrel and supported by sturdy, metal brackets.

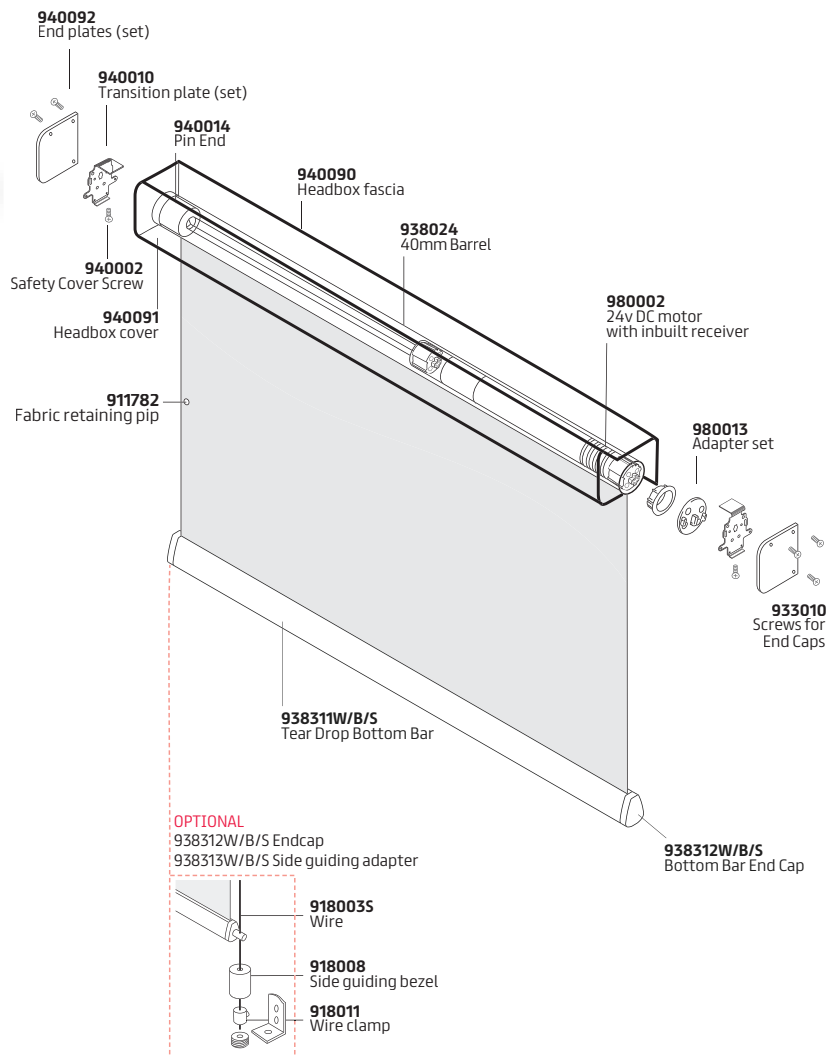
Options:

Black or white hardware; Remote and/or group control systems in place of single switch; With side channels C45-60/90. Wire side-guiding system; Available in any RAL colour.

Specification:

YewdaleDefiant® C25-60/90 low voltage electric cassetted blind as manufactured by Yewdale, +44(0)1268 570900. Flame retardant fabric from the YewdaleDefiant® range, locked into grooved 40mm aluminium barrel along with aluminium bottom bar as standard. Low voltage 24v DC motor is housed within black/white aluminium cassette.

Please refer to NBS Plus N10 240.



Cassetted Blind Profile Dimension Guide

Model	Cassette Size (HxD)	Barrel Size Ø	Side Channel Size (WxD)
C25-60	77 x 73mm	40mm	n/a
C25-90	105 x 95mm	40mm	n/a



Standard Bottom Bar Featured

C27 Electric 230v

Features:

The YewdaleDefiant® C27 electric cassetted blind features a 230v AC motor as standard. Cassette is designed for top or face fixing and accommodates 40mm grooved aluminium barrel, housing the motor. The motor is controlled by a switch which may be surface or flush mounted (not supplied as standard). Fabric is locked into groove in barrel and an aluminium bottom bar. Black or white hardware as standard.

Benefits:

The C27 offers a premium electric operated cassetted blind for situations where durability and functionality are required. Its quiet and reliable motor is housed within the barrel and further protected by the robust aluminium head-box housing. The fabric is locked into the barrel and bottom bar and will give years of trouble-free use. It is located in the groove so that it may be slid out sideways for easy repair or replacement of blind cover.

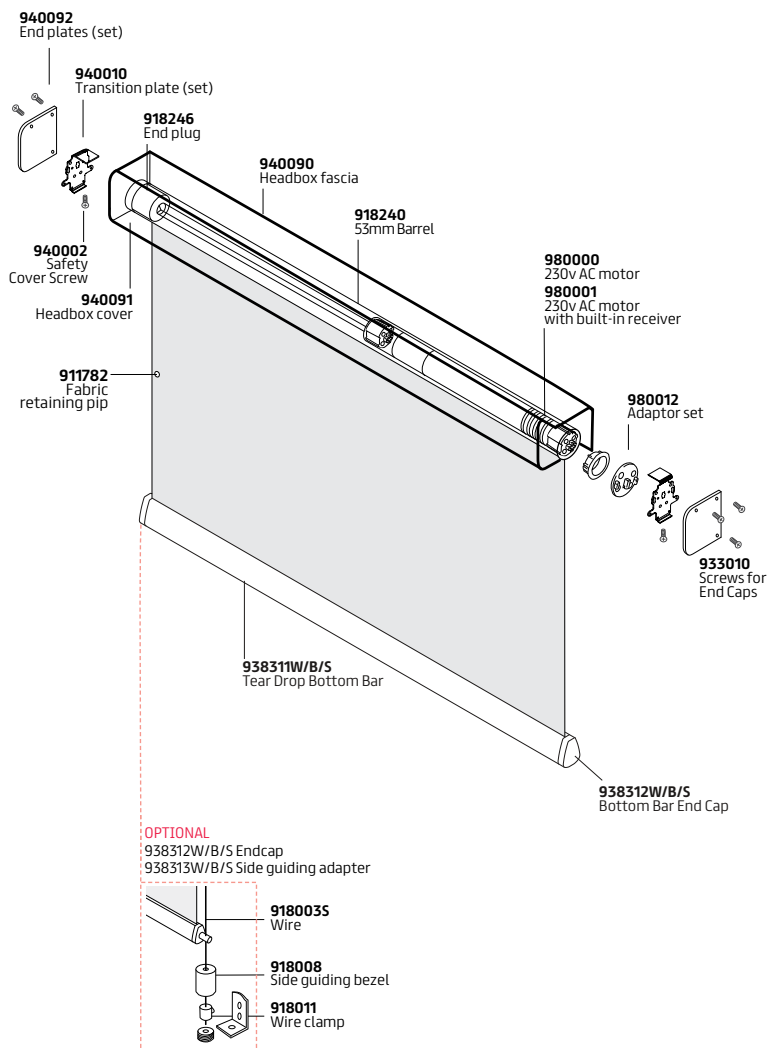
Options:

Black or white hardware; Remote and/or group control systems in place of single switch; With side channels C47-90/120; Wire side-guiding system; Available in any RAL colour.

Specification:

YewdaleDefiant® C27-90/120 electric cassetted blind as manufactured by Yewdale, +44 (0)1268 570900. Flame retardant fabric from the YewdaleDefiant® range, locked into grooved 53/70mm aluminium barrel along with aluminium bottom bar as standard. 230v AC motor is housed within black/white aluminium cassette.

Please refer to NBS Plus N10 240.



Cassetted Blind Profile Dimension Guide

Model	Cassette Size (HxD)	Barrel Size Ø	Side Channel Size (WxD)
C27-90	105 x 95mm	53mm	n/a
C27-120	140 x 120mm	53 / 70mm	n/a

YewdaleDefiant® Cassetted Blinds



C40 Sidewinder

Features:

All of the YewdaleDefiant® C40 sidewinder cassetted blinds come with an enclosed aluminium head-box and side channels as standard. Cassette is designed for top or face fixing and accommodates 32, 45, 53 or 70mm grooved aluminium barrels, depending on blind size and fabric weight. Fabric is locked into groove in barrel, and features aluminium bottom bar with pile seal. A robust Slipstream® sidewinder mechanism provides the effective means of operation with the use of metal control chain, held in place by a chain tidy. Studs fitted at edge of fabric to retain it within side channels. Black or white hardware as standard.

Benefits:

The excellent performance of a YewdaleDefiant® cassetted blind is further enhanced by the addition of side channels, giving positive and consistent location of the fabric and bottom bar, and provides light exclusion if blackout fabric is used. The entire range is offered as an aesthetically pleasing solution, protecting the fabric in the process. The quality sidewinder mechanisms are simple to operate and allow accurate control of blind position.

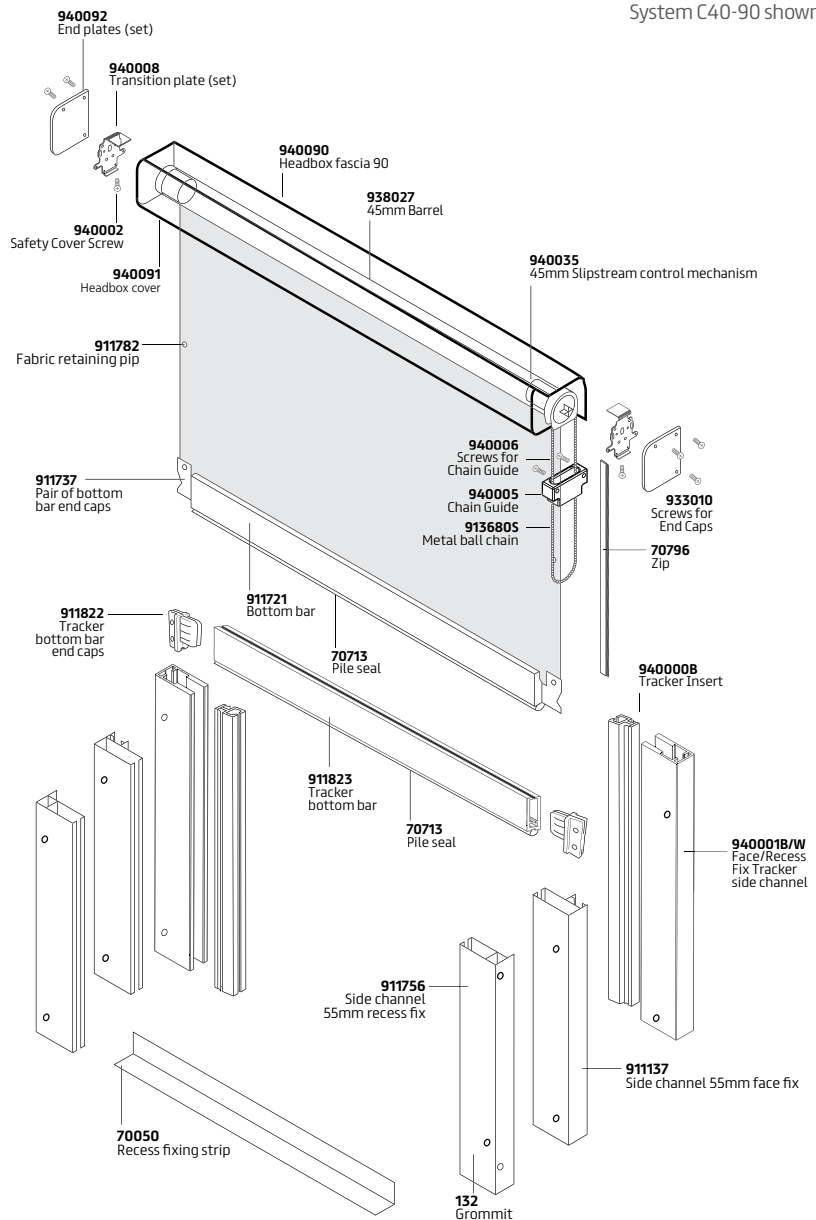
Options:

Black or white hardware; Without side channels, C20-60/90/120; Tracker fabric retaining system; Available in any RAL colour.

Specification:

YewdaleDefiant® C40-60/90/120 cassetted blind with side channels as manufactured by Yewdale, +44 (0)1268 570900. Flame retardant fabric from the YewdaleDefiant® range, locked into grooved 32/45/53/70mm aluminium barrel along with aluminium bottom bar as standard. Black/white aluminium cassette, side channels and bottom bar and incorporating metal control chain.

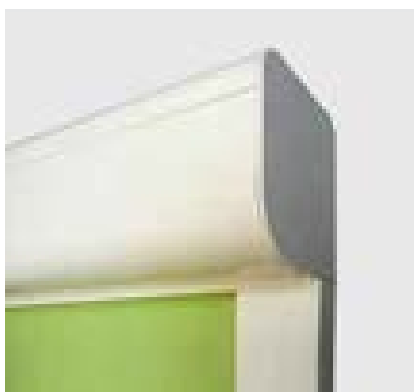
Please refer to NBS Plus N10 240.



System C40-90 shown.

Cassetted Blind Profile Dimension Guide

Model	Cassette Size (HxD)	Barrel Size Ø	Side Channel Size (WxD)
C40-60	77 x 73mm	32mm	55 x 13mm
C40-90	105 x 95mm	45mm	55 x 13mm
C40-120	140 x 120mm	53 / 70mm	55 x 13mm



C42 Braked Spring

Features:

The YewdaleDefiant® C42 cassetted braked spring roller blind with premium quality spring and decelerator ensures smooth and quiet operation. Direct fix for top and face applications. Fabric is locked into groove in 32mm aluminium barrel, and features aluminium bottom bar with handle. Click stops to hold blind at closed position. Studs fitted at edge of fabric to retain it within side channels. Black or white hardware as standard.

Benefits:

An attractive metal-framed blind with the added appeal of slow-rise, or braked, technology. Generally used in dim-out applications with blackout fabric, or as an insect screen with mesh fabric, as it has no mid-point stopping positions. The braked spring and decelerator mechanism is enclosed within the barrel.

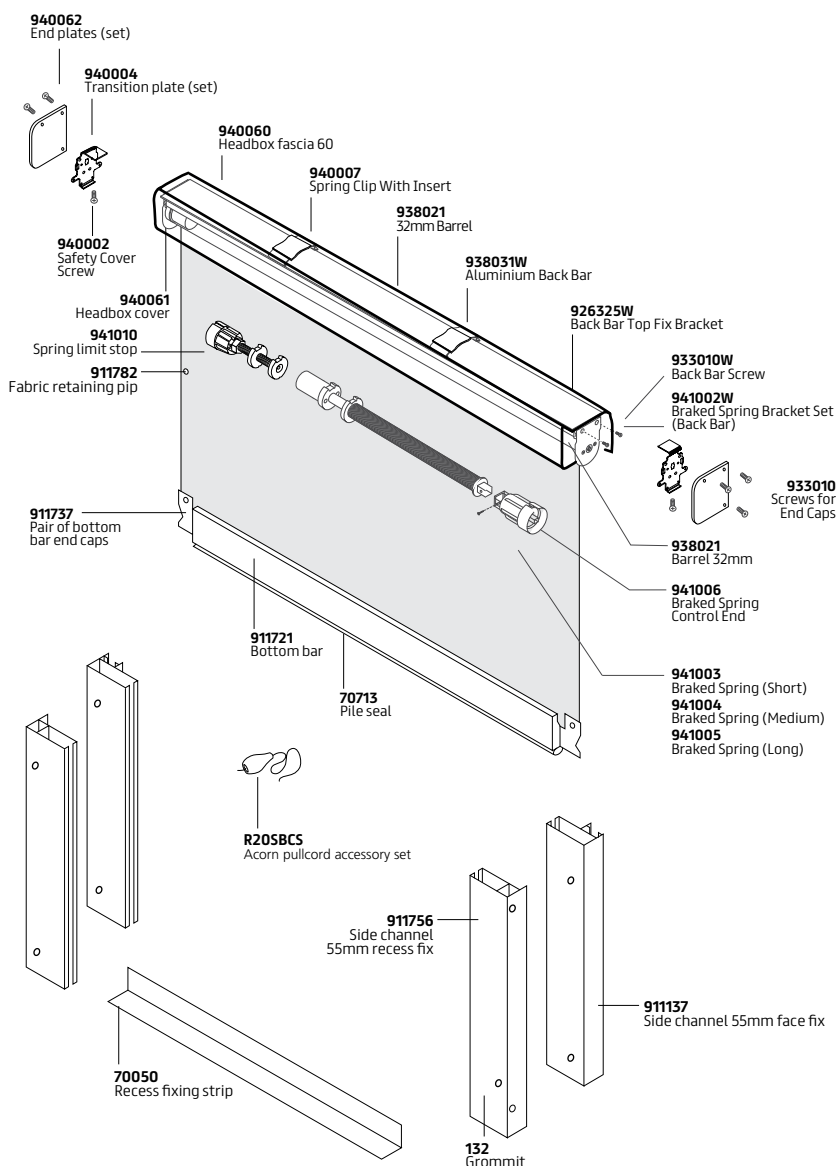
Options:

Black or white hardware available in any RAL colour.

Specification:

YewdaleDefiant® C42-60 braked spring control cassetted blind with side channels as manufactured by Yewdale, +44 (0)1268 570900. Flame retardant fabric from the YewdaleDefiant® range, locked into grooved 32mm aluminium barrel along with aluminium bottom bar as standard. Vandal resistant braked spring and spring end housed within black/white aluminium cassette with side channels and bottom bar.

Please refer to NBS Plus N10 240.



Cassetted Blind Profile Dimension Guide

Model	Cassette Size (HxD)	Barrel Size Ø	Side Channel Size (WxD)
C42-60	77 x 73mm	32mm	55 x 13mm

YewdaleDefiant® Cassetted Blinds



C44 Crank

Features:

The YewdaleDefiant® C44 crank control cassetted blind features a compact, robust 1:3½ gear mechanism operated by a detachable crank handle. Cassette is designed for top or face fixing and accommodates 45, 53 or 70mm grooved aluminium barrels, depending on blind size and fabric weight. Fabric is locked into groove in barrel with studs fitted at edge of fabric to retain it within side channels. Aluminium bottom bar. Black or white hardware as standard.

Benefits:

Durability and simplicity make the C44 a good choice for a vast range of applications. With its aluminium side channels and powerful gear controls it will perform dependably in all kinds of contract applications. The geared crank handle and mechanism ensures smooth blind control and is safer for areas where cords are a threat. Fabric locked into the barrel and bottom bar and supported by sturdy supports.

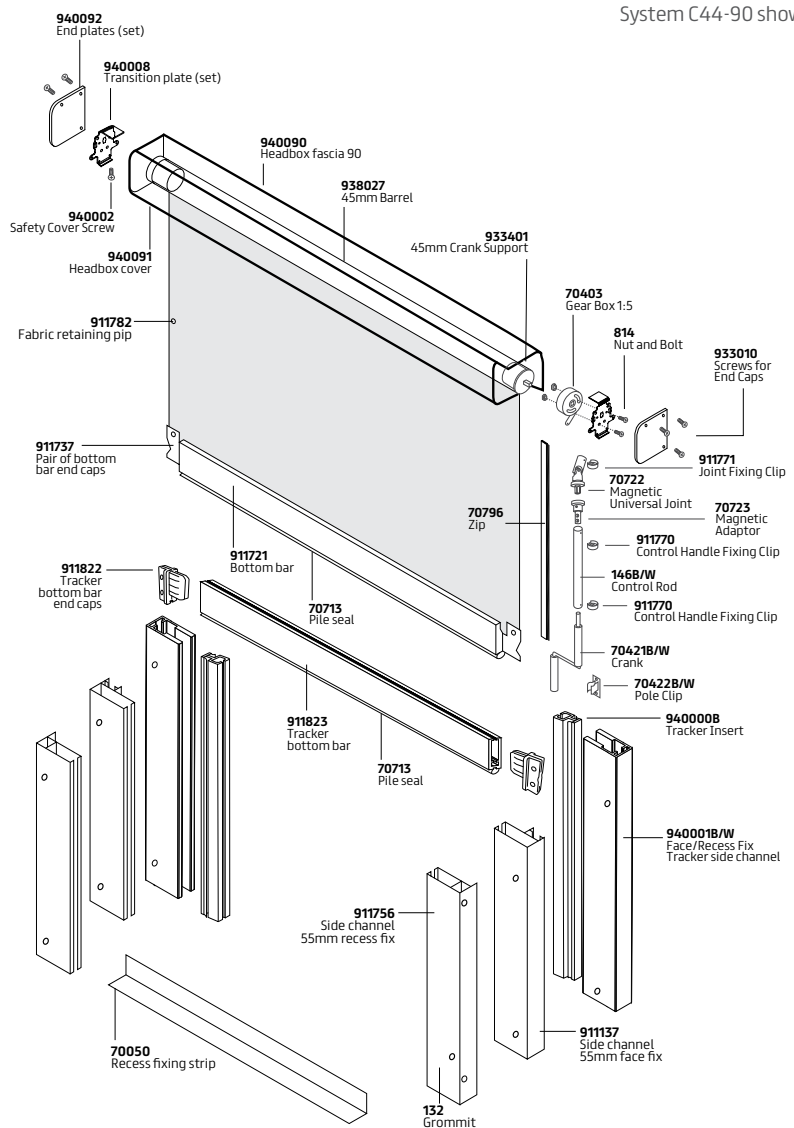
Options:

Black or white hardware; Fixed crank handle; Tracker fabric retaining system; Available in any RAL colour.

Specification:

The YewdaleDefiant® C44-90/120 crank control cassetted blind with side channels as manufactured by Yewdale, +44 (0)1268 570900. Flame retardant fabric from the YewdaleDefiant® range, locked into grooved 45/53/70mm aluminium barrel along with aluminium bottom bar as standard. Robust vandal resistant 1:3½ crank mechanism and pin end housed within black/white aluminium cassette with side channels and bottom bar.

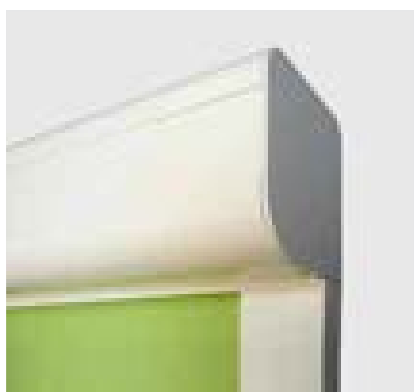
Please refer to NBS Plus N10 240.



System C44-90 shown.

Cassetted Blind Profile Dimension Guide

Model	Cassette Size (HxD)	Barrel Size Ø	Side Channel Size (WxD)
C44-90	105 x 95mm	45mm	55 x 13mm
C44-120	140 x 120mm	53 / 70mm	55 x 13mm



C45 Electric 24v

Features:

The YewdaleDefiant® C45 electric cassetted blind with side channels features a low voltage 24v DC motor as standard. Cassette is designed for top or face fixing and accommodates 40mm grooved aluminium barrel, housing the 24v DC motor. The motor is controlled by a switch which may be surface or flush mounted (not supplied as standard). Fabric is locked into groove in barrel with studs fitted at edge of fabric to retain it within side channels. Aluminium bottom bar. Black or white hardware as standard.

Benefits:

Fingertip control and a slim yet sturdy aluminium frame help this blind to lend an air of luxury to any environment and makes the C45 a perfect choice for motorised requirements. It's quiet and reliable motor is housed within the barrel and supported by sturdy, metal brackets.

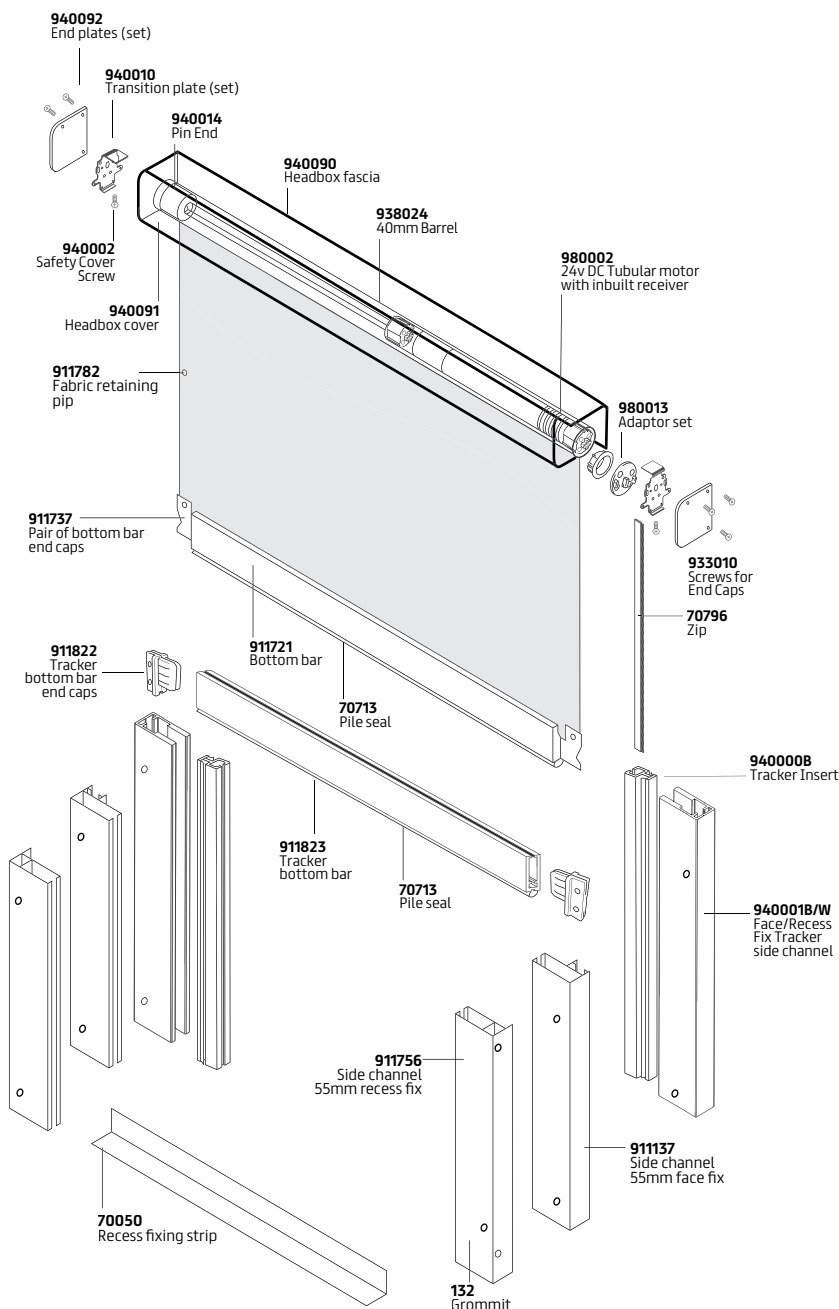
Options:

Black or white hardware; Remote and/or group control systems in place of single switch; Tracker fabric retaining system; Available in any RAL colour.

Specification:

The YewdaleDefiant® C45-60/90 low voltage electric cassetted blind with side channels as manufactured by Yewdale, +44(0)1268 570900. Flame retardant fabric from the YewdaleDefiant® range, locked into grooved 40mm aluminium barrel along with aluminium bottom bar as standard. Low voltage 24v DC motor is housed within black/white aluminium cassette with side channels and bottom bar.

Please refer to NBS Plus N10 240.



Cassetted Blind Profile Dimension Guide

Model	Cassette Size (HxD)	Barrel Size Ø	Side Channel Size (WxD)
C45-60	77 x 73mm	40mm	55 x 13mm
C45-90	105 x 95mm	40mm	55 x 13mm

YewdaleDefiant® Cassetted Blinds

YewdaleDefiant® Cassetted Blinds



C47 Electric 230v

Features:

The YewdaleDefiant® C47 electric cassetted blind with side channels features a motor as standard. Cassette is designed for top or face fixing and accommodates 40mm grooved aluminium barrel, housing the 230v AC motor. The motor is controlled by a switch which may be surface or flush mounted (not supplied as standard). Fabric is locked into groove in barrel with studs fitted at edge of fabric to retain it within side channels. Aluminium bottom bar. Black or white hardware as standard.

Benefits:

The C47 offers a premium electric operated cassetted blind for situations where durability and functionality are required. Its quiet and reliable motor is housed within the barrel and further protected by the robust aluminium head-box housing. The fabric is locked into the barrel and bottom bar and will give years of trouble-free use. It is located in the groove so that it may be slid out sideways for easy repair or replacement of blind cover.

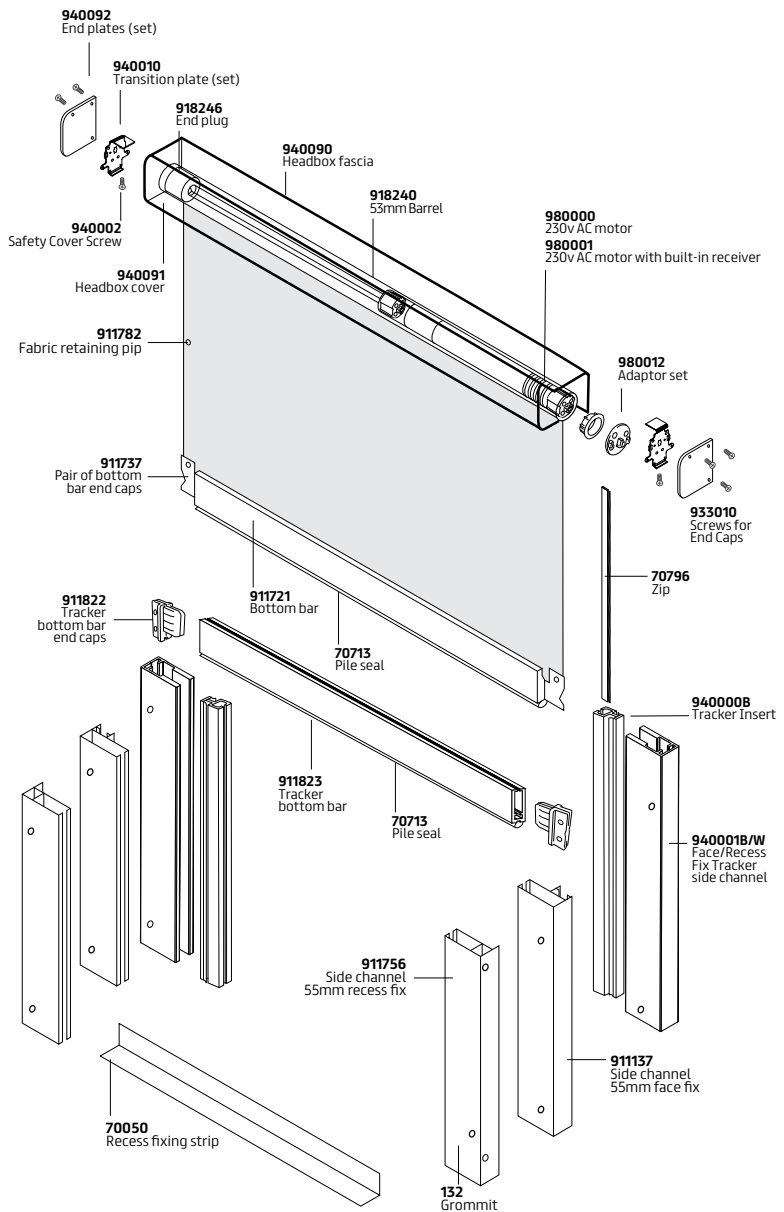
Options:

Black or white hardware; Remote and/or group control systems in place of single switch; Tracker fabric retaining system; Available in any RAL colour.

Specification:

The YewdaleDefiant® C47-90/120 electric cassetted blind with side channels as manufactured by Yewdale, +44 (0)1268 570900. Flame retardant fabric from the YewdaleDefiant® range, locked into grooved 53/70mm aluminium barrel along with aluminium bottom bar as standard. 230v AC motor is housed within black/white aluminium cassette with side channels and bottom bar.

Please refer to NBS Plus N10 240.



Cassetted Blind Profile Dimension Guide

Model	Cassette Size (HxD)	Barrel Size Ø	Side Channel Size (WxD)
C47-90	105 x 95mm	53mm	55 x 13mm
C47-120	140 x 120mm	53 / 70mm	55 x 13mm



Laser Blinds For Operating Theatres

Features:

The YewdaleDefiant® Laser Material provides protection from stray laser radiation and is available on a full spectrum of YewdaleDefiant® roller blinds. Designed to be used as passive guards in all areas where Class 3B or Class 4 lasers are regularly in use, the material is certified to EN 60824 -4 (Safety of Laser Products Part 4: Laser Guards) and is fire proof.

Benefits:

Available on a full range of YewdaleDefiant® roller blind systems to ensure there is a solution to virtually all laser blocking requirements. All blinds are made to measure. Recommended systems are detailed below: R20; R20C; R40; R55; VPF; C74; C75.

Options:

Laser fabric available in black; Suitable for chain, crank, and electric operation; Suitable for vision panel flaps.

Specification:

YewdaleDefiant® Laser Material products for protection from stray laser radiation as manufactured by Yewdale, +44 (0)1268 570900. Flame retardant fabric from YewdaleDefiant® laser fabric range, certified to EN60824-4 (Safety of Laser Products Part 4: Laser Guards).

Please refer to NBS Plus N10 240.

Tracker Fabric Retaining System

Features:

The unique YewdaleDefiant® Tracker Fabric Retaining System guarantees 100% fabric fastness and completely eradicates the common call-out problems of 'fabric blowing/ been pushed out of the side channel'. The channel measures 50 x 24.8mm and is available in black or white hardware. Suitable for the C40/C44/C45 and C47, the Tracker side channel will cater for both recess and face fix applications. Clever flexible plastic seals maintain constant fabric tension.

Benefits:

The excellent performance characteristics of this unique side channel coupled with its ease of use means that it works with nearly all of the YewdaleDefiant® range of cassetted blinds. It is both popular and ideal for areas such as schools, colleges, universities and hospitals. The unique channel will cater for uneven reveals and provides maximum light exclusion.

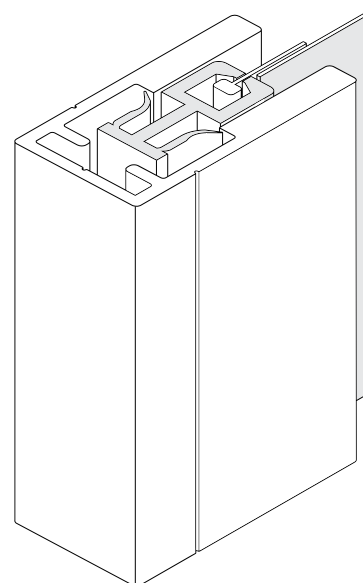
Options:

Available in black or white hardware.

Specification:

YewdaleDefiant® C40T-60/90/120, C44T-90/120, C45T-60/90, C47T-90/120 cassetted blind with Tracker Fabric Retaining System as manufactured by Yewdale, +44 (0)1268 570900. Flame retardant fabric from the YewdaleDefiant® range, locked into grooved 32/40/45/53mm aluminium barrel along with aluminium bottom bar as standard. Black/ white aluminium cassette, side channels and bottom bar supported by sturdy brackets. Control options as directed.

Please refer to NBS Plus N10 240.



Cassetted Blind Specification Guide

Cassetted blinds		Min Width	Max Width	Max Drop	Max m ²
C20-60	Sidewinder 60mm Cassette	200	2050	2150	3.5
C20-90	Sidewinder 90mm Cassette	200	3450	4250	6.5
C20-120	Sidewinder 120mm Cassette	200	4700	5750	11.5
C22-60	Braked Spring 60mm Cassette	450	1850	2450	4.3
C24-90	Crank 90mm Cassette	200	3450	4250	6.5
C24-120	Crank 120mm Cassette	200	4700	5750	10.0
C25-60	Electric 24v 60mm Cassette	500	2650	2350	7.0
C25-90	Electric 24v 90mm Cassette	500	2650	3350	7.0
C27-90	Electric 230v 90mm Cassette	570	3450	3450	10.0
C27-120	Electric 230v 120mm Cassette	570	4700	5750	11.5

Based on fabric weight of 400g/m², e.g. Dart. Larger sizes may be possible with lighter/thinner fabrics.

Cassetted blinds with side channels		Min Width	Max Width	Max Drop	Max m ²
C40-60	Sidewinder 60mm Cassette with Side Channels	200	2050	2000	3.5
C40-90	Sidewinder 90mm Cassette with Side Channels	200	3450	3250	6.5
C40-120	Sidewinder 120mm Cassette with Side Channels	200	4700	5000	11.5
C42-60	Braked Spring 60mm Cassette with Side Channels	500	1850	2000	3.7
C44-90	Crank 90mm Cassette with Side Channels	200	3450	3250	5.5
C44-120	Crank 120mm Cassette with Side Channels	200	4700	5000	10.0
C45-60	Electric 24v 60mm Cassette with Side Channels	500	2650	1500	3.9
C45-90	Electric 24v 90mm Cassette with Side Channels	500	2650	2000	6.6
C47-90	Electric 230v 90mm Cassette with Side Channels	570	3450	2450	9.0
C47-120	Electric 230v 120mm Cassette with Side Channels	570	4700	5000	11.5

Based on fabric weight of 400g/m², e.g. Dart. Larger sizes may be possible with lighter/thinner fabrics.

Cassetted blinds with tracker side channels		Min Width	Max Width	Max Drop	Max m ²
C40-60T	Sidewinder 60mm Cassette with Tracker Side Channels	200	1000	1500	1.5
C40-90T	Sidewinder 90mm Cassette with Tracker Side Channels	200	2000	2000	3.0
C40-120T	Sidewinder 120mm Cassette with Tracker Side Channels	200	3450	3450	10.5
C44-90T	Crank 90mm Cassette with Tracker Side Channels	200	3450	2850	5.5
C44-120T	Crank 120mm Cassette with Tracker Side Channels	200	3450	3450	9.0
C45-60T	Electric 24v 60mm Cassette with Tracker Side Channels	500	2650	1000	2.65
C45-90T	Electric 24v 90mm Cassette with Tracker Side Channels	500	2650	2000	5.3
C47-90T	Electric 230v 90mm Cassette with Tracker Side Channels	570	3450	2450	8.45
C47-120T	Electric 230v 120mm Cassette with Tracker Side Channels	570	3450	3450	10.0

Based on fabric weight of 400g/m², e.g. Dart. Larger sizes may be possible with lighter/thinner fabrics.