

Solent Blinds



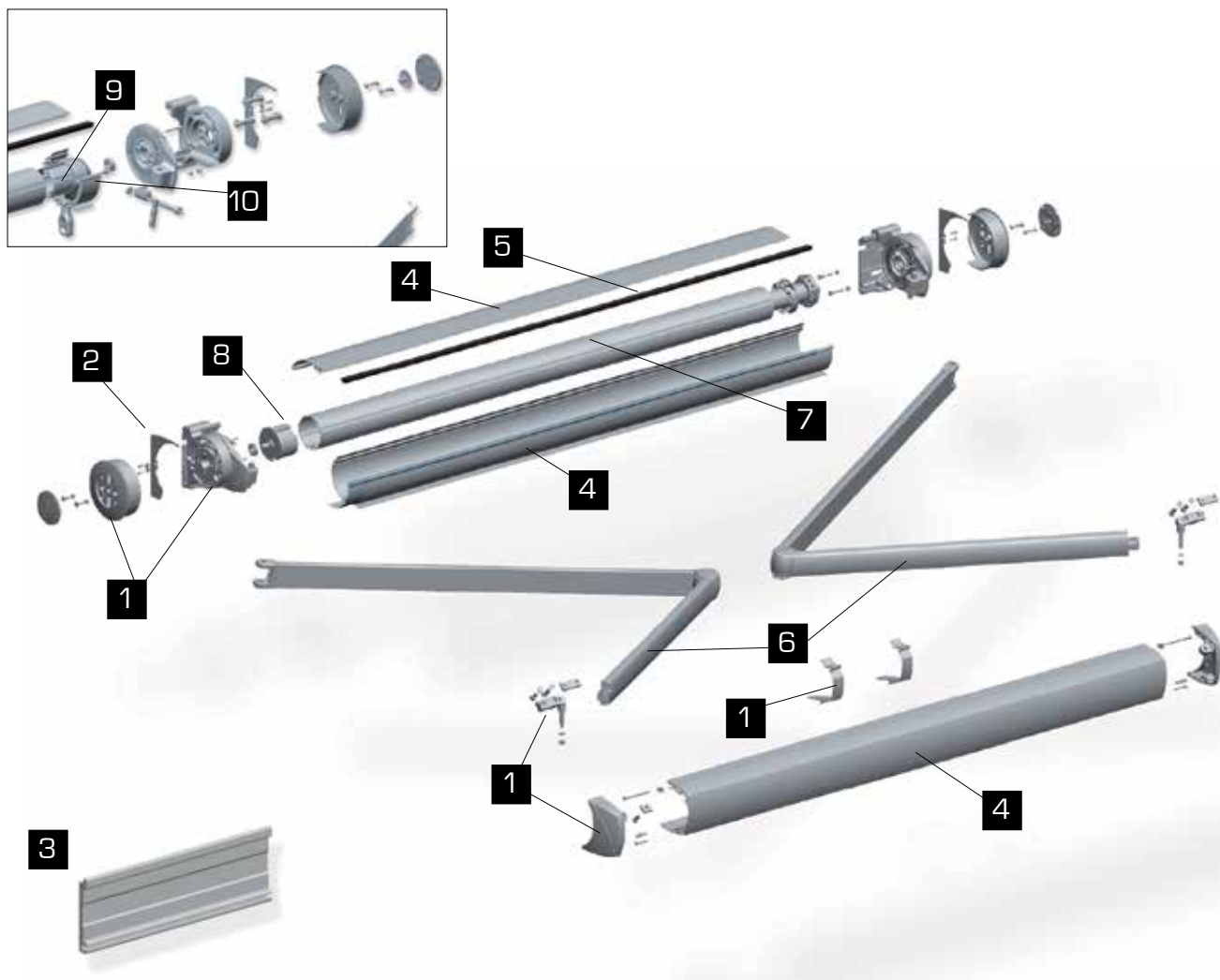


1.0. [Slimbox 300 parts](#)

1.1. [Description](#)

1.2. [Basic Specifications](#)

1.0 Slimbox 300 Parts



1 End Cap and Support set for Slimbox 300

2 Concealment Caps

3 500mm Long Fixing Bracket

4 Cassette Profile Set

5 Rubber Seal for Cassette Profile

6 Splendor 300 Arms

7 Roller Tube 70mm

8 Roller Pivot

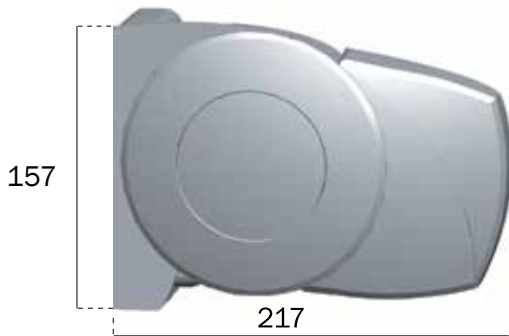
9 Gearbox

10 Manual Operation Kit

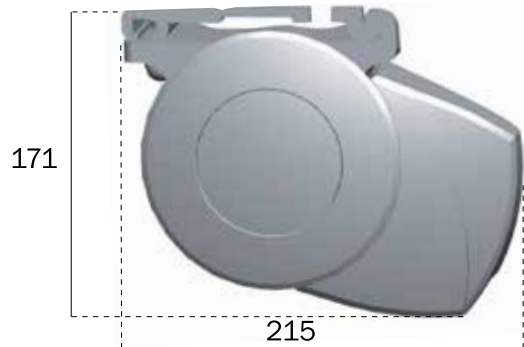
SLIMBOX 300

Face Fix (mm)

Height without side cover kit =154 mm



Top Fix (mm)

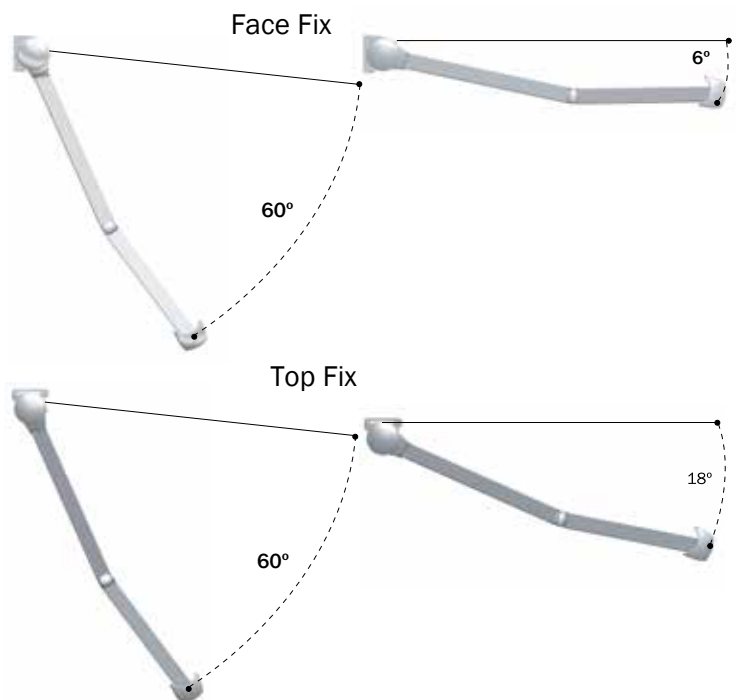
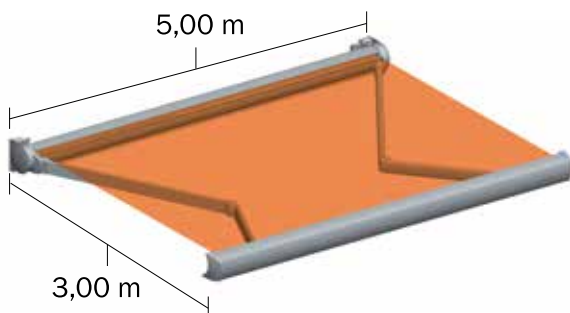


Maximum dimensions

500cm Width x 300cm projection

Degree of inclination / Pitch

Face Fix 6° a 60°
Top Fix 18° a 60°



Finishes

Lacquer in accordance with QUALICOAT standards

Stainless steel fixings

Operation

- Manual
- Motorised
- Automated

Installation



Terraces



Balconies

Mounting

